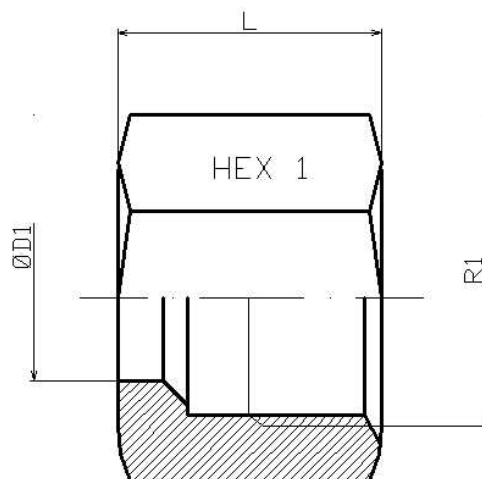


Racores DIN 2353

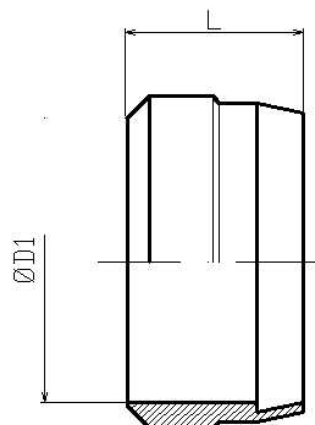
Tuercas y anillos

Tuerca Métrica DIN 3870**FLUIDAL****1/1**

Artículo	ØD1	Serie	R1	Presión de trabajo (bar)	L	HEX 1
MLL 4 M 8X1	4	LL	M8x1	100	11	10
MLL 6 M 10X1	6	LL	M10x1	100	11,5	12
MLL 8 M 12X1	8	LL	M12x1	100	12	14
ML 6 M 12X1.5	6	L	M12x1,5	315	14,5	14
ML 8 M 14X1.5	8	L	M14x1,5	315	14,5	17
ML 10 M 16X1.5	10	L	M16x1,5	315	15,5	19
ML 12 M 18X1.5	12	L	M18x1,5	315	15,5	22
ML 15 M 22X1.5	15	L	M22x1,5	315	17	27
ML 18 M 26X1.5	18	L	M26x1,5	315	18	32
ML 22 M 30X2	22	L	M30x2	160	20	36
ML 28 M 36X2	28	L	M36x2	160	21	41
ML 35 M 45X2	35	L	M45x2	160	24	50
ML 42 M 52X2	42	L	M52x2	160	24	60
MS 6 M 14X1.5	6	S	M14x1,5	630	16,5	17
MS 8 M 16X1.5	8	S	M16x1,5	630	16,5	19
MS 10 M 18X1.5	10	S	M18x1,5	630	17,5	22
MS 12 M 20X1.5	12	S	M20x1,5	630	17,5	24
MS 14 M 22X1.5	14	S	M22x1,5	630	20,5	27
MS 16 M 24X1.5	16	S	M24x1,5	400	20,5	30
MS 20 M 30X2	20	S	M30x2	400	24	36
MS 25 M 36X2	25	S	M36x2	400	27	46
MS 30 M 42X2	30	S	M42x2	250	29	50
MS 38 M 52X2	38	S	M52x2	250	32,5	60

Racores DIN 2353

Tuercas y anillos

Anillos de corte DIN 3861**FLUIDAL****1/1**

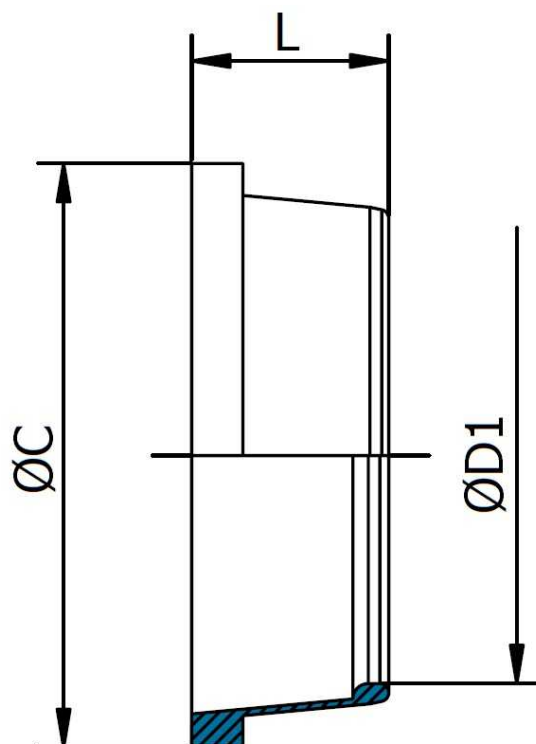
Artículo	ØD1	Serie	Presión de trabajo (bar)	L
ACLL 4	4	LL	100	6
ACLL 6	6	LL	100	7
ACLL 8	8	LL	100	7
ACL 6	6	L/S	630	9
ACL 8	8	L/S	630	9
ACL 10	10	L/S	630	10
ACL 12	12	L/S	630	10
ACL 15	15	L	315	10
ACL 18	18	L	315	10
ACL 22	22	L	160	10.5
ACL 28	28	L	160	10.5
ACL 35	35	L	160	13
ACL 42	42	L	160	13.5
ACS 14	14	S	630	10
ACS 16	16	S	400	10.5
ACS 20	20	S	400	12.5
ACS 25	25	S	400	12.5
ACS 30	30	S	400	13
ACS 38	38	S	315	13.5

Racores DIN 2353

Tuercas y anillos

Anillo FKM antifuga**FLUIDAL**

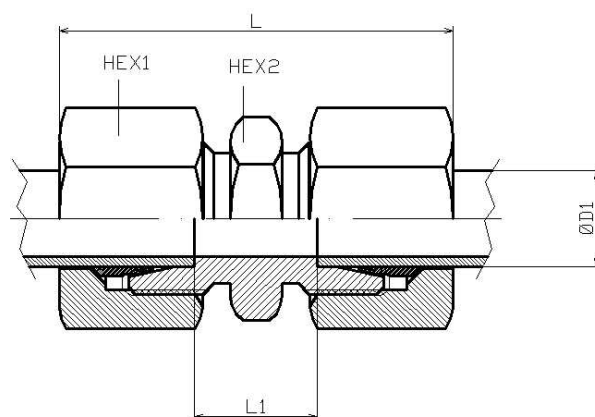
1/1



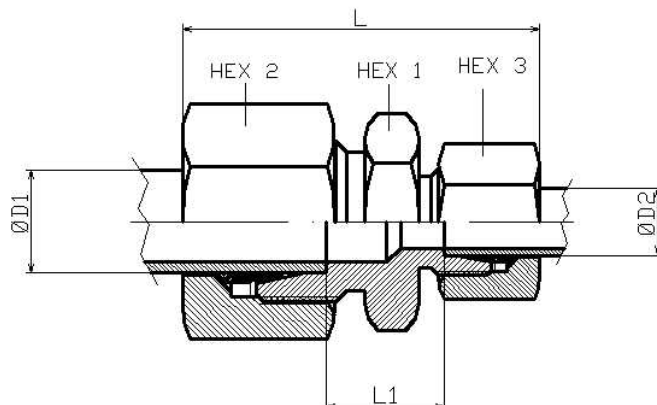
Artículo	ØD1	Serie	L	ØC
VA006L	6	L/S	7.5	9
VA008L	8	L/S	7.5	11
VA010L	10	L/S	7.5	13.5
VA012L	12	L/S	7	15.5
VA015L	15	L	7	19
VA018L	18	L	8	23
VA022L	22	L	8	26.5
VA028L	28	L	8	32.5
VA035L	35	L	8	41.5
VA042L	42	L	8	48.5
VA014S	14	S	7	19
VA016S	16	S	7.5	21
VA020S	20	S	9	26
VA025S	25	S	9	31.5
VA030S	30	S	8	37.5
VA038S	38	S	8	46

Racores DIN 2353

Uniones tubo-tubo

Unión recta tubo-tubo**FLUIDAL****1/1**

Artículo	ØD1	Serie	Presión de trabajo (bar)	L	L1	HEX 1	HEX 2
DLL 4	4	LL	100	31	12.0	10	9
DLL 6	6	LL	100	32	9.0	12	11
DLL 8	8	LL	100	35	12.0	14	12
DL 6	6	L	500	39.0	10.0	14	12
DL 8	8	L	500	40.0	11.0	17	14
DL 10	10	L	500	42.0	13.0	19	17
DL 12	12	L	400	43.0	14.0	22	19
DL 15	15	L	400	46.0	16.0	27	24
DL 18	18	L	400	48.0	16.0	32	27
DL 22	22	L	250	52.0	20.0	36	32
DL 28	28	L	250	54.0	21.0	41	41
DL 35	35	L	250	63.0	20.0	50	46
DL 42	42	L	250	66.0	21.0	60	55
DS 6	6	S	630	45.0	16.0	17	14
DS 8	8	S	630	47.0	18.0	19	17
DS 10	10	S	630	49.0	17.0	22	19
DS 12	12	S	630	51.0	19.0	24	22
DS 14	14	S	630	57.0	22.0	27	24
DS 16	16	S	420	57.0	21.0	30	27
DS 20	20	S	420	66.0	23.0	36	32
DS 25	25	S	420	74.0	26.0	46	41
DS 30	30	S	420	80.0	27.0	50	46
DS 38	38	S	315	90.0	29.0	60	55

Unión recta en reducción tubo-tubo

Artículo	ØD1	ØD2	Serie	Presión de trabajo (bar)	L	L1	HEX 1	HEX 2	HEX 3
DL 8-6	8	6	L	500	41	11	14	17	14
DL 10-6	10	6	L	500	42	12	17	19	14
DL 10-8	10	8	L	500	42	12	17	19	17
DL 12-8	12	8	L	400	43	13	19	22	17
DL 12-10	12	10	L	400	44	14	19	22	19
DL 15-10	15	10	L	400	45	15	24	27	19
DL 15-12	15	12	L	400	45	15	24	27	22
DL 18-12	18	12	L	400	47	15,5	27	32	22
DL 18-15	18	15	L	400	48	16,5	27	32	27
DL 22-15	22	15	L	250	50	18,5	32	36	27
DL 22-18	22	18	L	250	51	18	32	36	32
DL 28-22	28	22	L	250	54	21	41	41	36
DL 35-22	35	22	L	250	59	21	46	50	36
DL 35-28	35	28	L	250	59	21	46	50	41
DS 8-6	8	6	S	630	48	18	17	19	17
DS 10-6	10	6	S	630	49	17,5	19	22	17
DS 10-8	10	8	S	630	49	17,5	19	22	19
DS 12-6	12	6	S	630	51	19,5	22	24	17
DS 12-8	12	8	S	630	51	19,5	22	24	19
DS 12-10	12	10	S	630	52	19	22	24	22
DS 14-10	14	10	S	630	55	20,5	24	27	22
DS 14-12	14	12	S	630	55	20,5	24	27	24
DS 16-12	16	12	S	420	55	20	27	30	24
DS 16-14	16	14	S	420	58	21,5	27	30	27

Racores DIN 2353

Uniones tubo-tubo

Unión recta en reducción tubo-tubo**2/2**

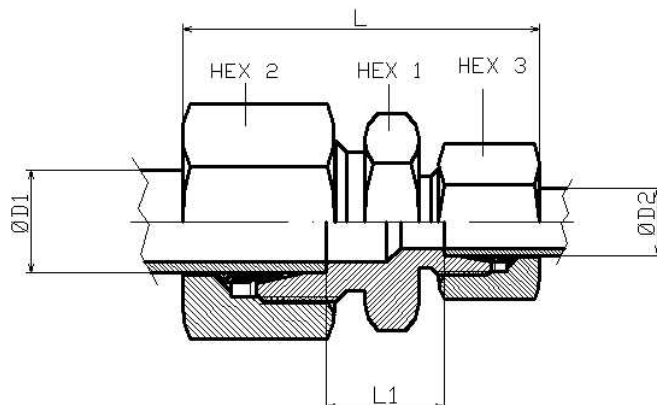
Artículo	ØD1	ØD2	Serie	Presión de trabajo (bar)	L	L1	HEX 1	HEX 2	HEX 3
DS 20-12	20	12	S	420	60	22	32	36	24
DS 20-16	20	16	S	420	63	23	32	36	30
DS 25-16	25	16	S	420	68	25,5	41	46	30
DS 25-20	25	20	S	420	71	25,5	41	46	36
DS 30-20	30	20	S	420	74	26	46	50	36
DS 30-25	30	25	S	420	77	26,5	46	50	46
DS 38-30	38	30	S	315	87	29,5	55	60	50

Racores DIN 2353

Uniones tubo-tubo

Unión recta en reducción tubo-tubo**FLUIDAL**

1/2



Artículo	ØD1	ØD2	Serie	Presión de trabajo (bar)	L	L1	HEX 1	HEX 2	HEX 3
DL 8-6	8	6	L	500	41	11	14	17	14
DL 10-6	10	6	L	500	42	12	17	19	14
DL 10-8	10	8	L	500	42	12	17	19	17
DL 12-8	12	8	L	400	43	13	19	22	17
DL 12-10	12	10	L	400	44	14	19	22	19
DL 15-10	15	10	L	400	45	15	24	27	19
DL 15-12	15	12	L	400	45	15	24	27	22
DL 18-12	18	12	L	400	47	15,5	27	32	22
DL 18-15	18	15	L	400	48	16,5	27	32	27
DL 22-15	22	15	L	250	50	18,5	32	36	27
DL 22-18	22	18	L	250	51	18	32	36	32
DL 28-22	28	22	L	250	54	21	41	41	36
DL 35-22	35	22	L	250	59	21	46	50	36
DL 35-28	35	28	L	250	59	21	46	50	41
DS 8-6	8	6	S	630	48	18	17	19	17
DS 10-6	10	6	S	630	49	17,5	19	22	17
DS 10-8	10	8	S	630	49	17,5	19	22	19
DS 12-6	12	6	S	630	51	19,5	22	24	17
DS 12-8	12	8	S	630	51	19,5	22	24	19
DS 12-10	12	10	S	630	52	19	22	24	22
DS 14-10	14	10	S	630	55	20,5	24	27	22
DS 14-12	14	12	S	630	55	20,5	24	27	24
DS 16-12	16	12	S	420	55	20	27	30	24
DS 16-14	16	14	S	420	58	21,5	27	30	27

Racores DIN 2353

Uniones tubo-tubo

Unión recta en reducción tubo-tubo**2/2**

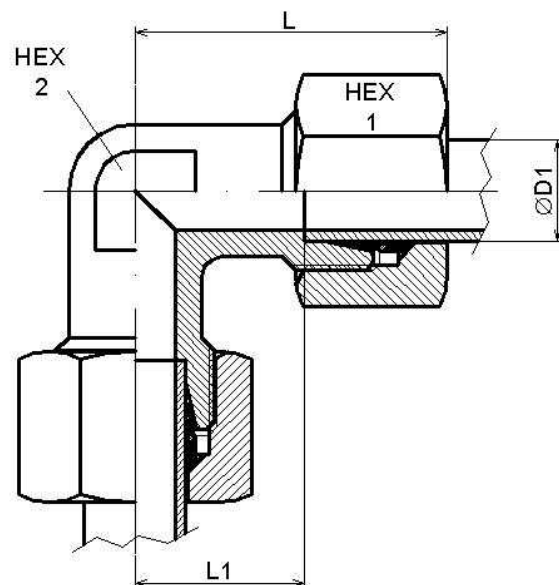
Artículo	ØD1	ØD2	Serie	Presión de trabajo (bar)	L	L1	HEX 1	HEX 2	HEX 3
DS 20-12	20	12	S	420	60	22	32	36	24
DS 20-16	20	16	S	420	63	23	32	36	30
DS 25-16	25	16	S	420	68	25,5	41	46	30
DS 25-20	25	20	S	420	71	25,5	41	46	36
DS 30-20	30	20	S	420	74	26	46	50	36
DS 30-25	30	25	S	420	77	26,5	46	50	46
DS 38-30	38	30	S	315	87	29,5	55	60	50

Racores DIN 2353

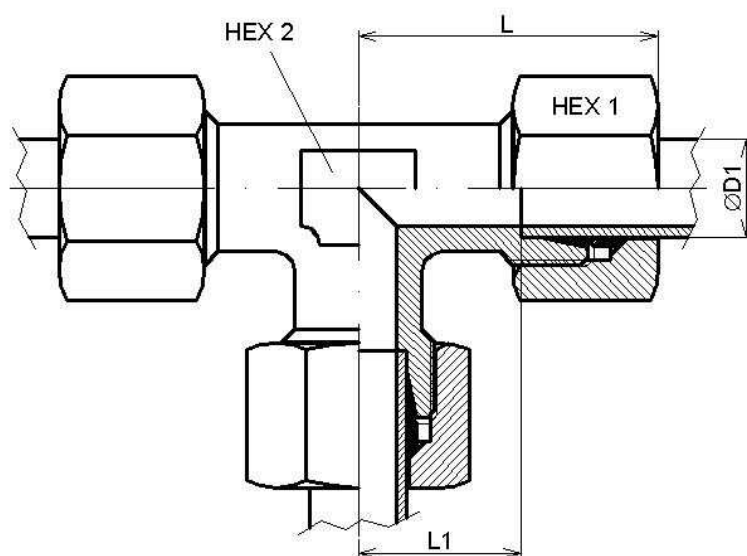
Uniones tubo-tubo

Unión en codo tubo-tubo**FLUIDAL**

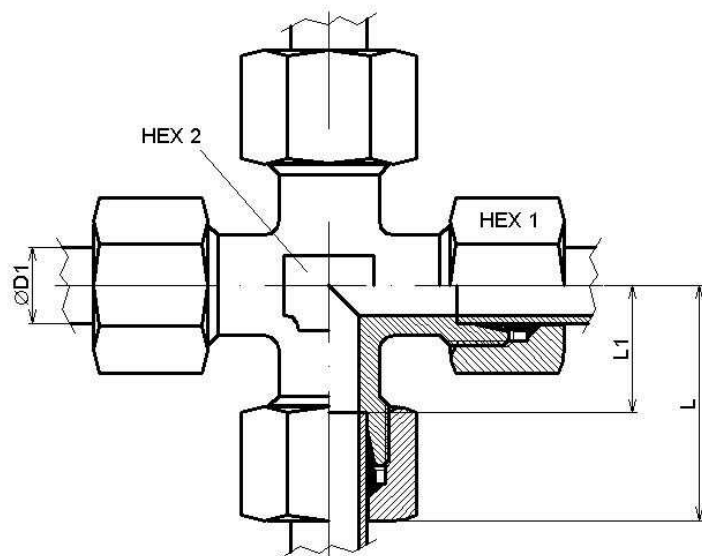
1/1



Artículo	ØD1	Serie	Presión de trabajo (bar)	L	L1	HEX 1	HEX 2
ELL 4	4	LL	100	21.0	11	10	9
ELL 6	6	LL	100	21.0	9,5	12	9
ELL 8	8	LL	100	23.0	11,5	14	12
EL 6	6	L	500	27.0	12	14	12
EL 8	8	L	500	29.0	14	17	12
EL 10	10	L	315	30.0	15	19	14
EL 12	12	L	315	32.0	17	22	17
EL 15	15	L	315	36.0	21	27	19
EL 18	18	L	315	40.0	23,5	32	24
EL 22	22	L	250	44.0	27,5	36	27
EL 28	28	L	250	47.0	30,5	41	36
EL 35	35	L	160	56.0	34,5	50	41
EL 42	42	L	160	63.0	40	60	50
ES 6	6	S	630	31.0	16	17	12
ES 8	8	S	630	31.0	17	19	14
ES 10	10	S	630	34.0	17,5	22	17
ES 12	12	S	630	38.0	21,5	24	17
ES 14	14	S	630	40.0	22	27	19
ES 16	16	S	420	43.0	24,5	30	24
ES 20	20	S	420	48.0	26,5	36	27
ES 25	25	S	420	54.0	30	46	36
ES 30	30	S	400	62.0	35,5	50	41
ES 38	38	S	315	72.0	41	60	50

Unión en te tubo-tubo

Artículo	ØD1	Serie	Presión de trabajo (bar)	L	L1	HEX 1	HEX 2
TLL 4	4	LL	100	21.0	11.0	10	9
TLL 6	6	LL	100	21.0	9.5	12	9
TLL 8	8	LL	100	23.0	11.5	14	12
TL 6	6	L	500	27.0	12.0	14	12
TL 8	8	L	500	29.0	14.0	17	12
TL 10	10	L	315	30.0	15.0	19	14
TL 12	12	L	315	32.0	17.0	22	17
TL 15	15	L	315	36.0	21.0	27	19
TL 18	18	L	315	40.0	23.5	32	24
TL 22	22	L	250	44.0	27.5	36	27
TL 28	28	L	250	47.0	30.5	41	36
TL 35	35	L	160	56.0	34.5	50	41
TL 42	42	L	160	63.0	40.0	60	50
TS 6	6	S	630	31.0	16.0	17	12
TS 8	8	S	630	32.0	17.0	19	14
TS 10	10	S	630	34.0	17.5	22	17
TS 12	12	S	630	38.0	21.5	24	17
TS 14	14	S	630	40.0	22.0	27	19
TS 16	16	S	420	43.0	24.5	30	24
TS 20	20	S	420	48.0	26.5	36	27
TS 25	25	S	420	54.0	30.0	46	36
TS 30	30	S	400	62.0	35.5	50	41
TS 38	38	S	315	72.0	41	60	50

Unión en cruz tubo-tubo

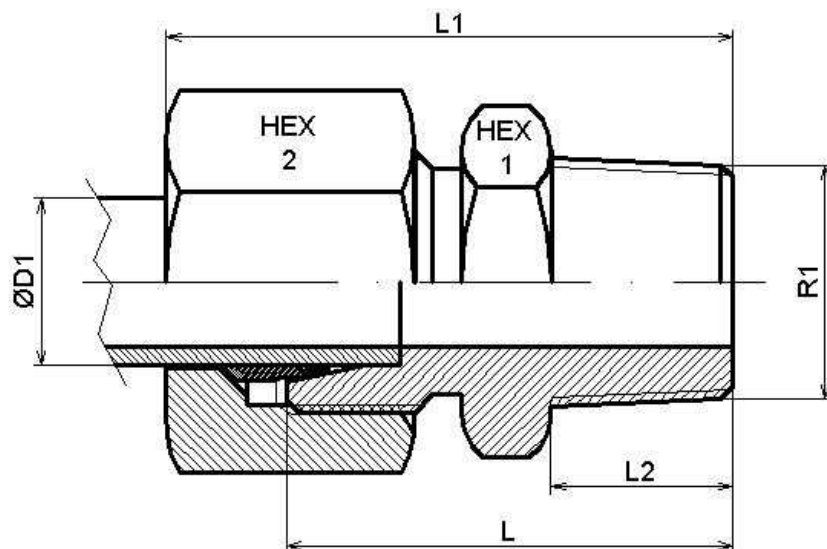
Artículo	ØD1	Serie	Presión de trabajo (bar)	L	L1	HEX 1	HEX 2
KVLL 8	8	LL	100	23.0	11.5	14	12
KVL 10	10	L	315	30.0	15.0	19	14
KVL 28	28	L	160	47.0	30.5	41	36
KVL 35	35	L	160	56.0	34.5	50	41
KVS 6	6	S	630	31.0	16.0	17	12
KVS 10	10	S	630	34.0	17.5	22	17
KVS 14	14	S	400	40.0	22.0	27	19
KVS 25	25	S	315	54.0	30.0	46	36

Racores DIN 2353

Uniones rectas tubo-rosca

Racor recto rosca cónica BSPT**FLUIDAL**

1/1



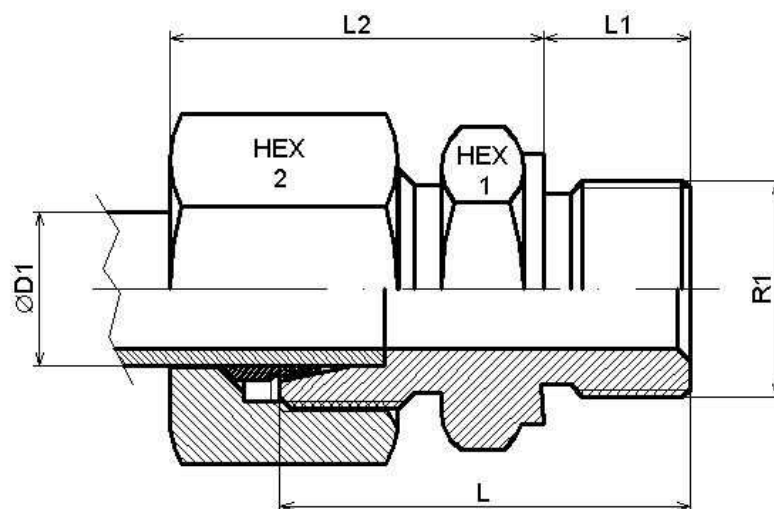
Artículo	ØD1	Serie	R1	Presión de trabajo (bar)	L	L1	L2	HEX 1	HEX 2
AKLL 4 R 1/8	4	LL	1/8" BSPT	100	20	26	8	11	10
AKLL 6 R 1/8	6	LL	1/8" BSPT	100	20	26	8	11	12
AKLL 8 R 1/8	8	LL	1/8" BSPT	100	22	28	8	12	14
AKLL 8 R 1/4	8	LL	1/4" BSPT	100	27	33	13	14	14
AKL 6 R 1/8	6	L	1/8" BSPT	315	24	32	10	12	14
AKL 6 R 1/4	6	L	1/4" BSPT	315	28	36	13	17	14
AKL 8 R 1/4	8	L	1/4" BSPT	315	28	36	13	17	17
AKL 10 R 1/4	10	L	1/4" BSPT	315	29	37	13	17	19
AKL 10 R 3/8	10	L	3/8" BSPT	315	30	38	13	19	19
AKL 12 R 1/4	12	L	1/4" BSPT	315	30	38	13	19	22
AKL 12 R 3/8	12	L	3/8" BSPT	315	30	38	13	19	22
AKL 12 R 1/2	12	L	1/2" BSPT	315	34	41	16	24	22
AKL 15 R 3/8	15	L	3/8" BSPT	315	31	39	13	24	27
AKL 15 R 1/2	15	L	1/2" BSPT	315	34	42	16	24	27
AKL 18 R 1/2	18	L	1/2" BSPT	315	35	44	16	27	32
AKL 22 R 3/4	22	L	3/4" BSPT	160	39	48	18	32	36
AKS 6 R 1/4	6	S	1/4" BSPT	400	33	41	13	17	17
AKS 8 R 1/4	8	S	1/4" BSPT	400	33	41	13	17	19
AKS 10 R 3/8	10	S	3/8" BSPT	400	33	42	13	19	22
AKS 12 R 3/8	12	S	3/8" BSPT	400	35	44	13	22	24
AKS 16 R 1/2	16	S	1/2" BSPT	400	40	50	16	27	30
AKS 20 R 3/4	20	S	3/4" BSPT	400	46	57	18	32	36

Racores DIN 2353

Uniones rectas tubo-rosca

Racor recto rosca cilíndrica BSP**FLUIDAL**

1/2



Artículo	ØD1	Serie	R1	Presión de trabajo (bar)	L	L1	L2	HEX 1	HEX 2
AL 6 R 1/8	6	L	1/8" BSP	315	23,5	8	23,5	14	14
AL 6 R 1/4	6	L	1/4" BSP	315	29	12	25	19	14
AL 6 R 3/8	6	L	3/8" BSP	315	30,5	12	26,5	22	14
AL 6 R 1/2	6	L	1/2" BSP	315	33	14	27	27	14
AL 8 R 1/8	8	L	1/8" BSP	315	24,5	8	24	14	17
AL 8 R 1/4	8	L	1/4" BSP	315	29	12	25	19	17
AL 8 R 3/8	8	L	3/8" BSP	315	30,5	12	26,5	22	17
AL 8 R 1/2	8	L	1/2" BSP	315	33	14	27	27	17
AL 10 R 1/8	10	L	1/8" BSP	315	25,5	8	25,5	17	19
AL 10 R 1/4	10	L	1/4" BSP	315	30	12	26	19	19
AL 10 R 3/8	10	L	3/8" BSP	315	31,5	12	27,5	22	19
AL 10 R 1/2	10	L	1/2" BSP	315	34	14	28	27	19
AL 12 R 1/4	12	L	1/4" BSP	315	31	12	27	19	22
AL 12 R 1/2	12	L	1/2" BSP	315	34	14	28	27	22
AL 12 R 3/4	12	L	3/4" BSP	315	37	16	29	32	22
AL 12 R 3/8	12	L	3/8" BSP	315	31,5	12	27,5	22	22
AL 15 R 3/8	15	L	3/8" BSP	250	32,5	12	29	24	27
AL 15 R 1/2	15	L	1/2" BSP	250	35	14	29	27	27
AL 15 R 3/4	15	L	3/4" BSP	250	38	16	30	32	27
AL 18 R 1/2	18	L	1/2" BSP	250	36	14	31	27	32
AL 18 R 3/4	18	L	3/4" BSP	250	38	16	31	32	32
AL 18 R 3/8	18	L	3/8" BSP	250	33,5	12	30,5	27	32
AL 22 R 1/2	22	L	1/2" BSP	160	38	14	33	32	36
AL 22 R 3/4	22	L	3/4" BSP	160	40	16	33	32	36
AL 22 R 1	22	L	1" BSP	160	43	18	34	41	36
AL 28 R 3/4	28	L	3/4" BSP	160	41	16	34	41	41
AL 28 R 1	28	L	1" BSP	160	43	18	34	41	41

Racores DIN 2353

Uniones rectas tubo-rosca

Racor recto rosca cilíndrica BSP

2/2

Artículo	ØD1	Serie	R1	Presión de trabajo (bar)	L	L1	L2	HEX 1	HEX 2
AL 35 R 1	35	L	1" BSP	160	46	18	40	46	50
AL 35 R 1 1/4	35	L	1"1/4 BSP	160	48	20	39	50	50
AL 42 R 1 1/2	42	L	1"1/2 BSP	160	52	22	42	55	60
AS 6 R 1/4	6	S	1/4" BSP	400	32	12	28	19	17
AS 8 R 1/4	8	S	1/4" BSP	400	34	12	30	19	19
AS 8 R 3/8	8	S	3/8" BSP	400	34,5	12	30,5	22	19
AS 10 R 1/4	10	S	1/4" BSP	400	34	12	31	19	22
AS 10 R 3/8	10	S	3/8" BSP	400	34,5	12	31	22	22
AS 10 R 1/2	10	S	1/2" BSP	400	39	14	34	27	22
AS 12 R 1/4	12	S	1/4" BSP	400	36	12	33	22	24
AS 12 R 3/8	12	S	3/8" BSP	400	36,5	12	33,5	22	24
AS 12 R 1/2	12	S	1/2" BSP	400	39	14	34	27	24
AS 14 R 3/8	14	S	3/8" BSP	400	38,5	12	36,5	24	27
AS 14 R 1/2	14	S	1/2" BSP	400	41	14	37	27	27
AS 16 R 3/8	16	S	3/8" BSP	400	38,5	12	36,5	27	30
AS 16 R 1/2	16	S	1/2" BSP	400	41	14	37	27	30
AS 16 R 3/4	16	S	3/4" BSP	400	45	16	39	32	30
AS 20 R 1/2	20	S	1/2" BSP	400	45	14	42	32	36
AS 20 R 3/4	20	S	3/4" BSP	400	47	16	42	32	36
AS 25 R 3/4	25	S	3/4" BSP	250	51	16	47	41	46
AS 25 R 1	25	S	1" BSP	250	53	18	47	41	46
AS 30 R 1	30	S	1" BSP	160	55	18	50	46	50
AS 30 R 1 1/4	30	S	1"1/4 BSP	160	57	20	50	50	50
AS 38 R 1 1/4	38	S	1"1/4 BSP	160	62	20	57	55	60
AS 38 R 1 1/2	38	S	1"1/2 BSP	160	64	22	57	55	60

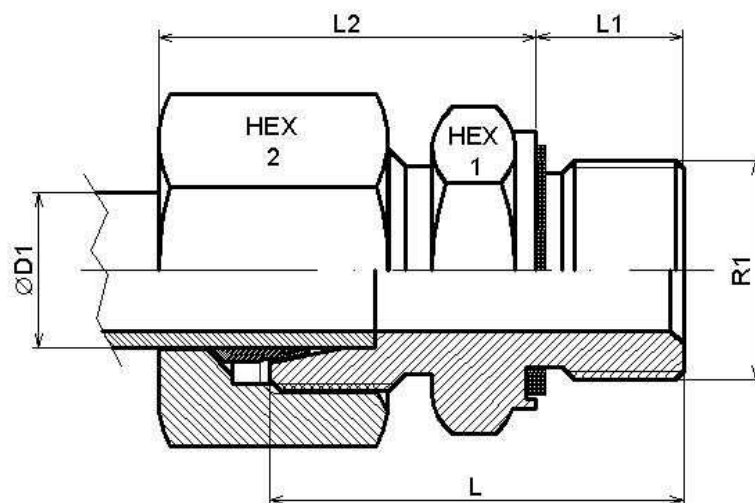
Racores DIN 2353

Uniones rectas tubo-rosca

Racor recto rosca cilíndrica BSP con junta



1/2



Artículo	ØD1	Serie	R1	Presión de trabajo (bar)	L	L1	L2	HEX 1	HEX 2
AL 6 R 1/8 WD	6	L	1/8" BSP	500	23,5	8	23,5	14	14
AL 6 R 1/4 WD	6	L	1/4" BSP	500	29	12	25	19	14
AL 8 R 1/8 WD	8	L	1/8" BSP	500	24,5	8	24,5	14	17
AL 8 R 1/4 WD	8	L	1/4" BSP	500	29	12	25	19	17
AL 8 R 3/8 WD	8	L	3/8" BSP	400	30,5	12	26,5	22	17
AL 10 R 1/4 WD	10	L	1/4" BSP	500	30	12	26	19	19
AL 10 R 3/8 WD	10	L	3/8" BSP	400	31,5	12	27,5	22	19
AL 10 R 1/2 WD	10	L	1/2" BSP	400	34	14	28	27	19
AL 12 R 1/4 WD	12	L	1/4" BSP	400	31	12	27	19	22
AL 12 R 3/8 WD	12	L	3/8" BSP	400	31,5	12	27,5	22	22
AL 12 R 1/2 WD	12	L	1/2" BSP	400	34	14	28	27	22
AL 15 R 3/8 WD	15	L	3/8" BSP	400	32,5	12	28,5	24	27
AL 15 R 1/2 WD	15	L	1/2" BSP	400	35	14	29	27	27
AL 18 R 1/2 WD	18	L	1/2" BSP	400	36	14	31	27	32
AL 18 R 3/4 WD	18	L	3/4" BSP	250	38	16	31	32	32
AL 22 R 3/4 WD	22	L	3/4" BSP	250	40	16	33	32	36
AL 28 R 1 WD	28	L	1" BSP	250	43	18	34	41	41
AL 35 R 1 1/4 WD	35	L	1 1/4" BSP	250	48	20	39	50	50
AL 42 R 1 1/2 WD	42	L	1 1/2" BSP	250	52	22	42	55	60
AS 6 R 1/4 WD	6	S	1/4" BSP	630	32	12	28	19	17
AS 8 R 1/4 WD	8	S	1/4" BSP	630	34	12	30	19	19
AS 8 R 3/8 WD	8	S	3/8" BSP	630	34,5	12	30,5	22	19
AS 10 R 1/4 WD	10	S	1/4" BSP	630	34	12	31	19	22
AS 10 R 3/8 WD	10	S	3/8" BSP	630	34,5	12	31,5	22	22
AS 10 R 1/2 WD	10	S	1/2" BSP	630	39	14	34	27	22
AS 12 R 1/4 WD	12	S	1/4" BSP	630	36	12	33	22	24
AS 12 R 3/8 WD	12	S	3/8" BSP	630	36,5	12	33,5	22	24

Racores DIN 2353

Uniones rectas tubo-rosca

Racor recto rosca cilíndrica BSP con junta**2/2**

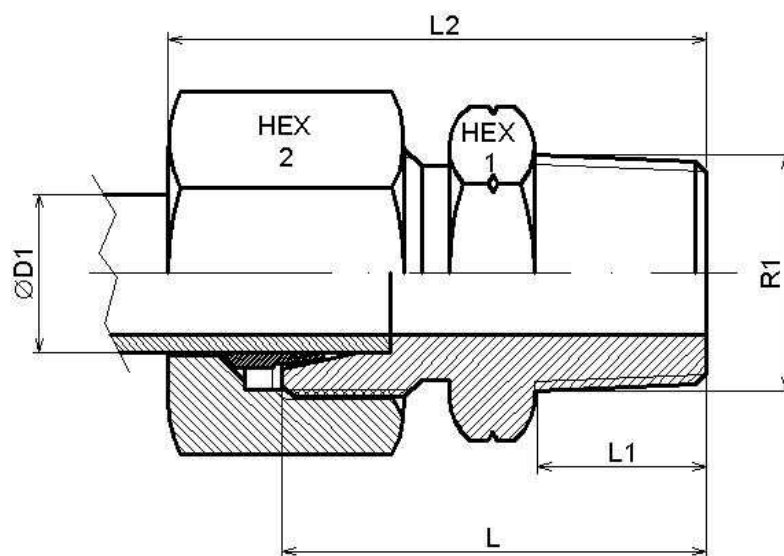
Artículo	ØD1	Serie	R1	Presión de trabajo (bar)	L	L1	L2	HEX 1	HEX 2
AS 12 R 1/2 WD	12	S	1/2" BSP	630	39	14	34	27	24
AS 14 R 1/2 WD	14	S	1/2" BSP	630	41	14	37	27	27
AS 16 R 3/8 WD	16	S	3/8" BSP	420	38,5	12	36,5	27	30
AS 16 R 1/2 WD	16	S	1/2" BSP	420	41	14	37	27	30
AS 16 R 3/4 WD	16	S	3/4" BSP	420	45	16	39	32	30
AS 20 R 3/4 WD	20	S	3/4" BSP	420	47	16	42	32	36
AS 25 R 3/4 WD	25	S	3/4" BSP	420	51	16	47	41	46
AS 25 R 1 WD	25	S	1" BSP	420	53	18	47	41	46
AS 30 R 1 1/4 WD	30	S	1"1/4 BSP	420	57	20	50	50	50
AS 38 R 1 1/2 WD	38	S	1"1/2 BSP	315	64	22	57	55	60

Racores DIN 2353

Uniones rectas tubo-rosca

Racor recto rosca cónica NPT**FLUIDAL**

1/2



Artículo	ØD1	Serie	R1	Presión de trabajo (bar)	L	L1	L2	HEX 1	HEX 2
AKLL 4 1/8 NPT	4	LL	1/8" NPT	100	22	10	28	11	10
AKLL 6 1/8 NPT	6	LL	1/8" NPT	100	22	10	28	11	12
AKLL 8 1/8 NPT	8	LL	1/8" NPT	100	24	10	30	12	14
AKL 6 1/8 NPT	6	L	1/8" NPT	315	24	10	32	12	14
AKL 6 1/4 NPT	6	L	1/4" NPT	315	30	15	38	17	14
AKL 8 1/4 NPT	8	L	1/4" NPT	315	30	15	38	17	17
AKL 10 1/4 NPT	10	L	1/4" NPT	315	31	15	39	17	19
AKL 10 3/8 NPT	10	L	3/8" NPT	315	32	15,5	40	19	19
AKL 12 1/4 NPT	12	L	1/4" NPT	315	32	15	40	19	22
AKL 12 3/8 NPT	12	L	3/8" NPT	315	32	15,5	40	19	22
AKL 12 1/2 NPT	12	L	1/2" NPT	315	37	20	45	22	22
AKL 15 1/2 NPT	15	L	1/2" NPT	315	38	20	46	24	27
AKL 18 1/2 NPT	18	L	1/2" NPT	315	39	20	48	27	32
AKL 22 3/4 NPT	22	L	3/4" NPT	160	41	20	50	32	36
AKL 28 1 NPT	28	L	1" NPT	160	47	25	56	41	41
AKL 35 1 1/4 NPT	35	L	1"1/4 NPT	160	51	25,5	62	46	50
AKL 42 1 1/2 NPT	42	L	1"1/2 NPT	160	53	26	65	55	60
AKS 6 1/4 NPT	6	S	1/4" NPT	630	35	15	43	17	17
AKS 8 1/4 NPT	8	S	1/4" NPT	630	35	15	43	17	19
AKS 10 1/4 NPT	10	S	1/4" NPT	630	35	15	44	19	22
AKS 10 3/8 NPT	10	S	3/8" NPT	630	35	15,5	44	19	22
AKS 12 3/8 NPT	12	S	3/8" NPT	630	37	15,5	46	22	24
AKS 12 1/2 NPT	12	S	1/2" NPT	630	42	20	51	22	24
AKS 14 1/2 NPT	14	S	1/2" NPT	630	44	20	54	24	27
AKS 16 1/2 NPT	16	S	1/2" NPT	400	44	20	54	27	30
AKS 20 3/4 NPT	20	S	3/4" NPT	400	48	20	59	32	36
AKS 25 1 NPT	25	S	1" NPT	400	57	25	69	41	46

Racores DIN 2353

Uniones rectas tubo-rosca

Racor recto rosca cónica NPT**2/2**

Artículo	ØD1	Serie	R1	Presión de trabajo (bar)	L	L1	L2	HEX 1	HEX 2
AKS 30 1 1/4 NPT	30	S	1"1/4 NPT	400	60	25,5	73	46	50
AKS 38 1 1/2 NPT	38	S	1"1/2 NPT	315	65	26	80	55	60

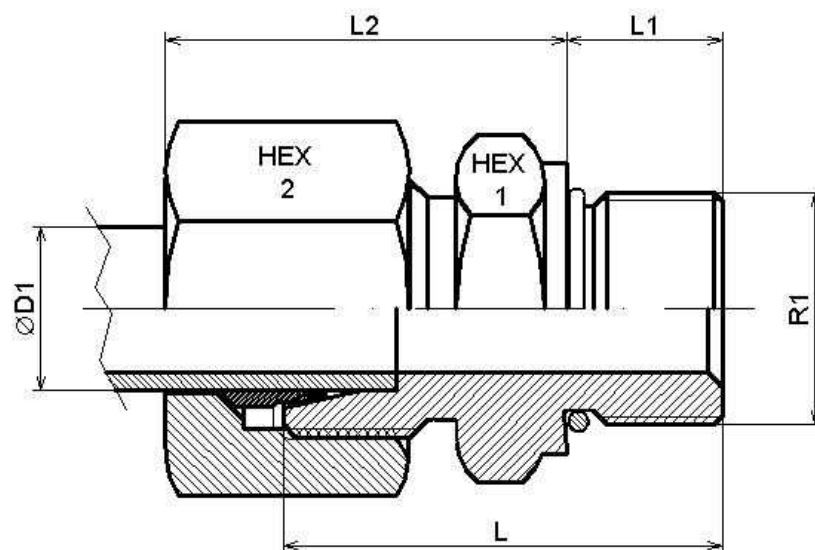
Racores DIN 2353

Uniones rectas tubo-rosca

Racor recto rosca cilíndrica UNF



1/1



Artículo	ØD1	Serie	R1	Presión de trabajo (bar)	L	L1	L2	HEX 1	HEX 2
AL 8 7/16 UNF	8	L	7/16 UNF	315	27	9	26	17	17
AL 10 7/16 UNF	10	L	7/16 UNF	315	28	9	27	17	19
AL 12 9/16 UNF	12	L	9/16 UNF	315	29	10	27	19	22
AL 18 3/4 UNF	18	L	3/4 UNF	315	33,5	11	31,5	27	32
AL 22 7/8 UNF	22	L	7/8 UNF	160	37	12,7	33	32	36
AL 22 1 1/16 UN	22	L	1 1/16 UNF	160	39,5	15	33,5	32	36
AL 22 1 5/16 UN	22	L	1 5/16 UNF	160	41	15	34,5	41	36
AL 28 1 1/16 UN	28	L	1 1/16 UNF	160	40	15	34	41	41
AL 28 1 5/16 UN	28	L	1 5/16 UNF	160	41	15	34,5	41	41
AL 35 1 5/16 UN	35	L	1 5/16 UNF	160	44	15	39,5	46	50
AL 35 1 5/8 UNF	35	L	1 5/8 UNF	160	44	15	39,5	50	50
AS 8 7/16 UNF	8	S	7/16 UNF	630	31	11	28	17	19
AS 10 9/16 UNF	10	S	9/16 UNF	630	32	12	29	19	22
AS 12 3/4 UNF	12	S	3/4 UNF	630	36	14	31	24	24
AS 16 3/4 UNF	16	S	3/4 UNF	400	38	14	34	24	30
AS 30 1 5/16 UNF	30	S	1 5/16 UNF	400	52	18,5	46,5	46	50

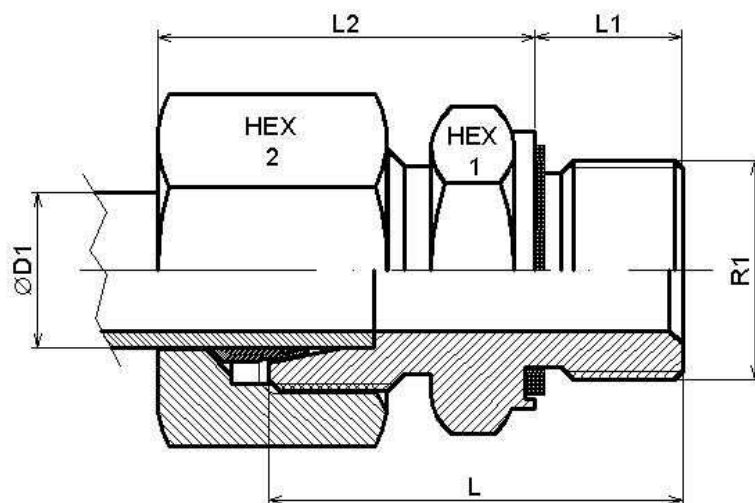
Racores DIN 2353

Uniones rectas tubo-rosca

Racor recto rosca cilíndrica Métrica con junta



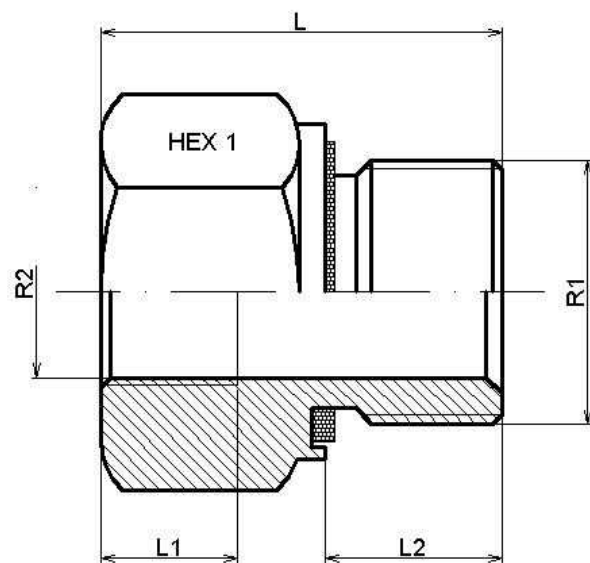
1/1



Artículo	ØD1	Serie	R1	Presión de trabajo (bar)	L	L1	L2	HEX 1	HEX 2
AL 6 M 10X1 WD	6	L	M10x1	500	23,5	8	23,5	14	14
AL 8 M 12X1.5 WD	8	L	M12x1,5	500	29	12	25	17	17
AL 10 M 14X1.5 WD	10	L	M14x1,5	500	30	12	26	19	19
AL 10 M 16X1.5 WD	10	L	M16x1,5	400	31,5	12	27,5	22	19
AL 10 M 18X1.5 WD	10	L	M18x1,5	400	31,5	12	27,5	24	19
AL 12 M 16X1.5 WD	12	L	M16x1,5	400	31,5	12	27,5	22	22
AL 12 M 22X1.5 WD	12	L	M22x1,5	400	35	14	29	27	22
AL 15 M 18X1.5 WD	15	L	M18x1,5	400	32,5	12	28,5	24	27
AL 15 M 22X1.5 WD	15	L	M22x1,5	400	36	14	30	27	27
AL 18 M 22X1.5 WD	18	L	M22x1,5	400	36	14	31	27	32
AL 22 M 26X1.5 WD	22	L	M26x1,5	250	40	16	33	32	36
AL 28 M 33X2 WD	28	L	M33x2	250	43	18	34	41	41
AL 35 M 42X2 WD	35	L	M42x2	250	48	20	39	50	50
AL 42 M 48X2 WD	42	L	M48x2	250	52	22	42	55	60
AS 6 M 12X1.5 WD	6	S	M12x1,5	630	32	12	28	17	17
AS 10 M 16X1.5 WD	10	S	M16x1,5	630	34,5	12	31,5	22	22
AS 12 M 18X1.5 WD	12	S	M18x1,5	630	36,5	12	33,5	24	24
AS 14 M 20X1.5 WD	14	S	M20x1,5	630	41	14	37	27	27
AS 16 M 22X1.5 WD	16	S	M22x1,5	420	41	14	37	27	30
AS 25 M 33X2 WD	25	S	M33x2	420	53	18	47	41	46
AS 30 M 42X2 WD	30	S	M42x2	420	57	20	50	50	50
AS 38 M 48X2 WD	38	S	M48x2	315	64	22	57	55	60

Racores DIN 2353

Uniones rectas tubo-rosca

Reducción con rosca M-HF BSP con junta**FLUIDAL****1/2**

Artículo	R1	R2	Presión de trabajo (bar)	L	L1	L2	HEX 1
RI-R 1/8 R 1/4WD	M 1/8"BSP	H 1/4"BSP	400	31	17	8	19
RI-R 1/8 R 3/8WD	M 1/8"BSP	H 3/8"BSP	400	32	17	8	24
RI-R 1/4 R 1/8WD	M 1/4"BSP	H 1/8"BSP	400	28	12	12	19
RI-R 1/4 R 3/8WD	M 1/4"BSP	H 3/8"BSP	400	36	17	12	24
RI-R 1/4 R 1/2 WD	M 1/4"BSP	H 1/2"BSP	400	40	20	12	27
RI-R 1/4 R 3/4 WD	M 1/4"BSP	H 3/4"BSP	400	43	22	12	36
RI-R 3/8 R 1/8WD	M 3/8"BSP	H 1/8"BSP	400	22,5	9	12	22
RI-R 3/8 R 1/4 WD	M 3/8"BSP	H 1/4"BSP	400	36	17	12	22
RI-R 3/8 R 1/2WD	M 3/8"BSP	H 1/2"BSP	400	41	20	12	27
RI-R 3/8 R 3/4WD	M 3/8"BSP	H 3/4"BSP	315	44	22	12	36
RI-R 1/2 R 1/8WD	M 1/2"BSP	H 1/8"BSP	400	24	9	14	27
RI-R 1/2 R 1/4WD	M 1/2"BSP	H 1/4"BSP	400	24	13	14	27
RI-R 1/2 R 3/8WD	M 1/2"BSP	H 3/8"BSP	400	36	17	14	27
RI-R 1/2 R 3/4WD	M 1/2"BSP	H 3/4"BSP	315	46	22	14	36
RI-R 1/2 R 1WD	M 1/2"BSP	H 1"BSP	315	49	24,5	14	41
RI-R 1/2 R 1 1/4WD	M 1/2" BSP	H 1 1/4 BSP	315	53	26,5	14	55
RI-R 3/4 R 1/4WD	M 3/4"BSP	H 1/4"BSP	315	26	13	16	32
RI-R 3/4 R 3/8WD	M 3/4"BSP	H 3/8"BSP	315	26	14	16	32
RI-R 3/4 R 1/2WD	M 3/4"BSP	H 1/2"BSP	315	41	20	16	32
RI-R 3/4 R 1WD	M 3/4"BSP	H 1"BSP	315	51	24,5	16	41
RI-R 3/4 R 1 1/4WD	M 3/4"BSP	H 1 1/4 BSP	315	55	26,5	16	55
RI-R 3/4 R 1 1/2WD	M 3/4"BSP	H 1 1/2 BSP	250	57	28,5	16	60
RI-R 1 R 1/4WD	M 1"BSP	H 1/4"BSP	315	29	14	18	41
RI-R 1 R 3/8WD	M 1"BSP	H 3/8"BSP	315	29	14	18	41
RI-R 1 R 1/2WD	M 1"BSP	H 1/2"BSP	315	29	16	18	41
RI-R 1 R 3/4WD	M 1"BSP	H 3/4"BSP	315	47	22	18	41
RI-R 1 R 1 1/4WD	M 1"BSP	H 1 1/4BSP	315	57	26,5	18	55

Racores DIN 2353

Uniones rectas tubo-rosca

Reducción con rosca M-HF BSP con junta**2/2**

Artículo	R1	R2	Presión de trabajo (bar)	L	L1	L2	HEX 1
RI-R 1 R 1 1/2WD	M 1"BSP	H 1"1/2 BSP	250	59	28,5	18	60
RI-R 1 1/4 R 1/2WD	M 1"1/4BSP	H 1/2"BSP	315	32	16	20	50
RI-R 1 1/4 R 3/4WD	M 1"1/4 BSP	H 3/4"BSP	315	32	18	20	50
RI-R 1 1/4 R 1WD	M 1"1/4 BSP	H 1"BSP	315	52	24,5	20	50
RI-R 1 1/4 R 1 1/2WD	M 1"1/4 BSP	H 1"1/2 BSP	250	60	28,5	20	60
RI-R 1 1/2 R 1/2WD	M 1"1/2 BSP	H 1/2"BSP	250	36	16	22	55
RI-R 1 1/2 R 3/4WD	M 1"1/2 BSP	H 3/4"BSP	250	36	18	22	55
RI-R 1 1/2 R 1WD	M 1"1/2 BSP	H 1" BSP	250	36	20	22	55
RI-R 1 1/2 R 1 1/4WD	M 1"1/2 BSP	H 1"1/4 BSP	250	58	26,5	22	55

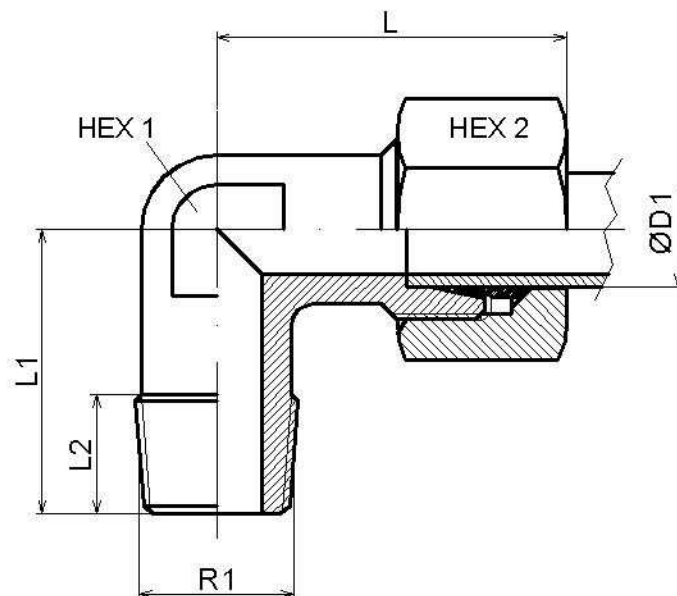
Racores DIN 2353

Codos tubo-rosca

Racor en codo rosca cónica BSPT



1/2



Artículo	ØD1	Serie	R1	Presión de trabajo (bar)	L	L1	L2	HEX 1	HEX 2
CKLL 4 R 1/8	4	LL	1/8" BSPT	100	21	17	8	9	10
CKLL 6 R 1/8	6	LL	1/8" BSPT	100	21	17	8	9	12
CKLL 8 R 1/8	8	LL	1/8" BSPT	100	23	20	8	12	14
CKL 6 R 1/8	6	L	1/8" BSPT	315	27	20	10	12	14
CKL 6 R 1/4	6	L	1/4" BSPT	315	29	26	12	12	14
CKL 8 R 1/8	8	L	1/8" BSPT	315	29	26	8	12	17
CKL 8 R 1/4	8	L	1/4" BSPT	315	29	26	12	12	17
CKL 8 R 3/8	8	L	3/8" BSPT	315	34	28	12	17	17
CKL 10 R 1/4	10	L	1/4" BSPT	315	30	27	12	14	19
CKL 10 R 3/8	10	L	3/8" BSPT	315	32	28	12	17	19
CKL 10 R 1/2	10	L	1/2" BSPT	315	38	34	14	19	19
CKL 12 R 1/4	12	L	1/4" BSPT	315	32	28	12	17	22
CKL 12 R 3/8	12	L	3/8" BSPT	315	32	28	12	17	22
CKL 12 R 1/2	12	L	1/2" BSPT	315	38	34	14	19	22
CKL 15 R 3/8	15	L	3/8" BSPT	315	36	34	12	19	27
CKL 15 R 1/2	15	L	1/2" BSPT	315	36	34	14	19	27
CKL 18 R 1/2	18	L	1/2" BSPT	315	40	36	14	24	32
CKL 22 R 3/4	22	L	3/4" BSPT	160	44	42	16	27	36
CKL 28 R 1	28	L	1" BSPT	160	47	48	18	36	41
CKL 35 R 1 1/4	35	L	1 1/4" BSPT	160	56	54	25	41	50
CKL 42 R 1 1/2	42	L	1 1/2" BSPT	160	63	61	22	50	60
CKS 6 R 1/4	6	S	1/4" BSPT	400	31	26	12	12	17
CKS 8 R 1/4	8	S	1/4" BSPT	400	32	27	12	14	19
CKS 10 R 3/8	10	S	3/8" BSPT	400	34	28	12	17	22

Racores DIN 2353

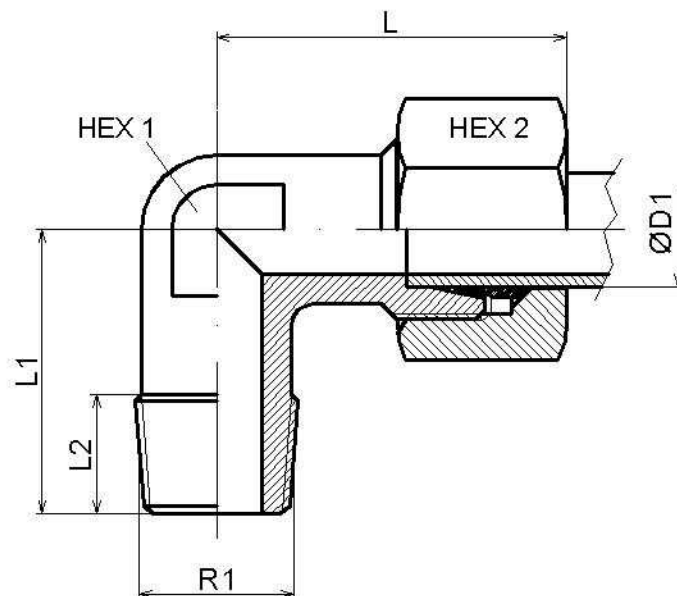
Codos tubo-rosca

Racor en codo rosca cónica BSPT**2/2**

Artículo	ØD1	Serie	R1	Presión de trabajo (bar)	L	L1	L2	HEX 1	HEX 2
CKS 12 R 3/8	12	S	3/8" BSPT	400	38	28	12	17	24
CKS 12 R 1/2	12	S	1/2" BSPT	400	40	34	14	19	24
CKS 14 R 1/2	14	S	1/2" BSPT	400	40	32	14	19	27
CKS 16 R 1/2	16	S	1/2" BSPT	400	43	32	14	24	30
CKS 20 R 3/4	20	S	3/4" BSPT	400	48	42	16	27	36
CKS 25 R 1	25	S	1" BSPT	250	54	48	18	36	46
CKS 30 R 1 1/4	30	S	1"1/4 BSPT	160	62	54	25	41	50
CKS 38 R 1 1/2	38	S	1"1/2 BSPT	160	72	61	22	50	60

Racores DIN 2353

Codos tubo-rosca

Racor en codo rosca cónica Métrica**FLUIDAL****1/1**

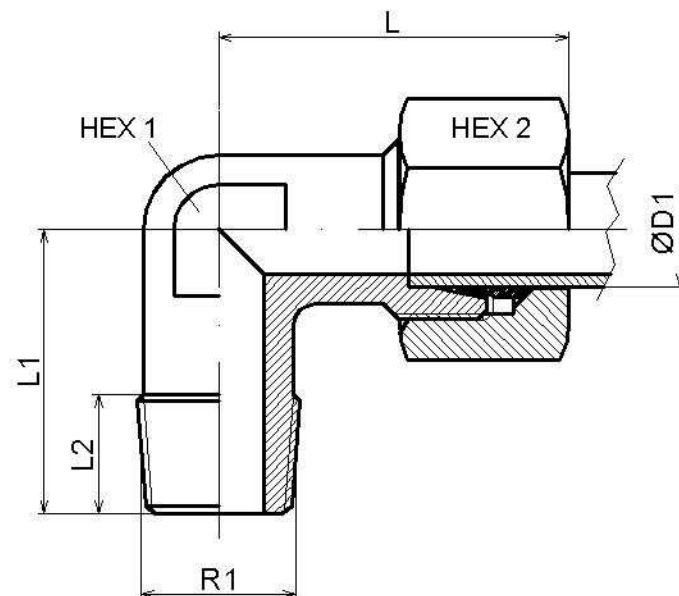
Artículo	ØD1	Serie	R1	Presión de trabajo (bar)	L	L1	L2	HEX 1	HEX 2
CKLL 4 M 8X1	4	LL	M8x1	100	21	17	7	9	10
CKLL 6 M 10X1	6	LL	M10x1	100	21	17	8	9	12
CKLL 8 M 10X1	8	LL	M10x1	100	23	20	8	12	14
CKL 6 M 10X1	6	L	M10x1	315	27	20	8	12	14
CKL 8 M 12X1.5	8	L	M12x1,5	315	29	26	12	12	17
CKL 10 M 14X1.5	10	L	M14x1,5	315	30	27	12	14	19
CKL 12 M 16X1.5	12	L	M16x1,5	315	32	28	12	17	22
CKL 15 M 18X1.5	15	L	M18x1,5	315	36	32	12	19	27
CKL 18 M 22X1.5	18	L	M22x1,5	315	40	36	14	24	32
CKS 6 M 12X1.5	6	S	M12x1,5	400	31	26	12	12	17
CKS 8 M 14X1.5	8	S	M14x1,5	400	32	27	12	14	19
CKS 10 M 16X1.5	10	S	M16x1,5	400	34	28	12	17	22
CKS 14 M 20X1.5	14	S	M20x1,5	400	40	32	14	19	27
CKS 16 M 22X1.5	16	S	M22x1,5	400	43	32	14	24	30

Racores DIN 2353

Codos tubo-rosca

Racor en codo rosca cónica NPT**FLUIDAL**

1/2



Artículo	ØD1	Serie	R1	Presión de trabajo (bar)	L	L1	L2	HEX 1	HEX 2
CKLL 4 1/8 NPT	4	LL	1/8" NPT	100	21	17	8	9	10
CKLL 6 1/8 NPT	6	LL	1/8" NPT	100	21	17	8	9	12
CKLL 8 1/8 NPT	8	LL	1/8" NPT	100	23	20	10	12	14
CKL 6 1/8 NPT	6	L	1/8" NPT	315	27	20	10	12	14
CKL 6 1/4 NPT	6	L	1/4" NPT	315	29	26	11	12	14
CKL 8 1/4 NPT	8	L	1/4" NPT	315	29	26	15	12	17
CKL 10 1/4 NPT	10	L	1/4" NPT	315	30	27	15	14	19
CKL 12 1/4 NPT	12	L	1/4" NPT	315	32	28	15	17	22
CKL 12 3/8 NPT	12	L	3/8" NPT	315	32	28	12	17	22
CKL 12 1/2 NPT	12	L	1/2" NPT	315	38	34	20	19	22
CKL 15 1/2 NPT	15	L	1/2" NPT	315	36	34	18	19	27
CKL 18 1/2 NPT	18	L	1/2" NPT	315	40	36	20	24	32
CKL 22 3/4 NPT	22	L	3/4" NPT	160	44	42	20	27	36
CKL 28 1 NPT	28	L	1" NPT	160	47	48	25	36	41
CKL 35 1 1/4 NPT	35	L	1 1/4" NPT	160	56	54	25	41	50
CKL 42 1 1/2 NPT	42	L	1 1/2" NPT	160	63	61	22	50	60
CKS 6 1/4 NPT	6	S	1/4" NPT	630	29	26	11	12	17
CKS 8 1/4 NPT	8	S	1/4" NPT	630	32	27	15	14	19
CKS 10 3/8 NPT	10	S	3/8" NPT	630	34	28	12	17	22
CKS 12 3/8 NPT	12	S	3/8" NPT	630	38	28	13,5	17	24
CKS 14 1/2 NPT	14	S	1/2" NPT	630	40	34	20	19	27
CKS 16 1/2 NPT	16	S	1/2" NPT	400	43	36	20	24	30
CKS 20 3/4 NPT	20	S	3/4" NPT	400	48	42	20	27	36
CKS 25 1 NPT	25	S	1" NPT	400	54	48	25	36	46

Racores DIN 2353

Codos tubo-rosca

Racor en codo rosca cónica NPT

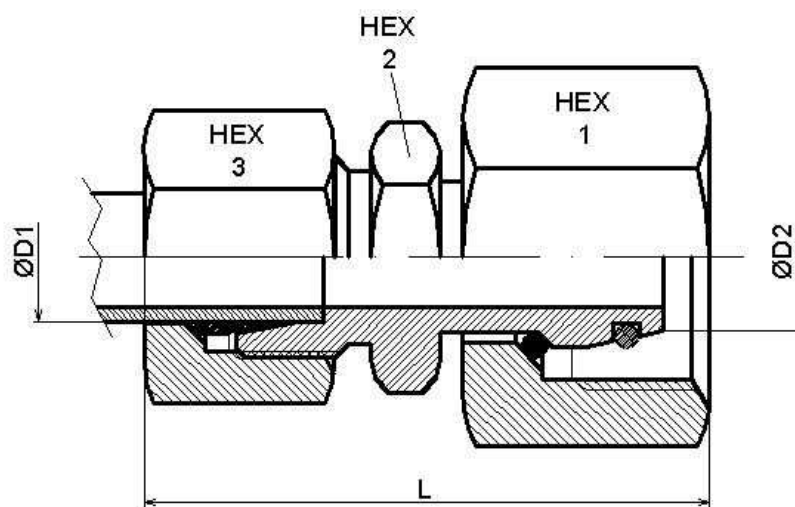


2/2

Artículo	ØD1	Serie	R1	Presión de trabajo (bar)	L	L1	L2	HEX 1	HEX 2
CKS 30 1 1/4 NPT	30	S	1 1/4" NPT	400	62	54	25	41	50
CKS 38 1 1/2 NPT	38	S	1 1/2" NPT	315	72	61	22	50	60

Racor de reducción TL Métrica (serie ligera)**FLUIDAL**

1/2



Artículo	ØD1	ØD2	Serie	Presión de trabajo (bar)	L	HEX 1	HEX 2	HEX 3
KORL 8-6TLM	6	8	L	500	39,5	17	12	14
KORL 10-6TLM	6	10	L	500	40	19	14	14
KORL 10-8 TLM	8	10	L	500	40	19	14	17
KORL 12-6TLM	6	12	L	400	41,5	22	17	14
KORL 12-8TLM	8	12	L	400	41,5	22	17	17
KORL 12-10TLM	10	12	L	400	42,5	22	17	19
KORL 15-6TLM	6	15	L	400	43,5	27	19	14
KORL 15-8TLM	8	15	L	400	43,5	27	19	17
KORL 15-10TLM	10	15	L	400	44,5	27	19	19
KORL 15-12TLM	12	15	L	400	44,5	27	19	22
KORL 18-6TLM	6	18	L	400	44,5	32	24	14
KORL 18-8TLM	8	18	L	400	44,5	32	24	17
KORL 18-10TLM	10	18	L	400	45,5	32	24	19
KORL 18-12TLM	12	18	L	400	45,5	32	24	22
KORL 18-15TLM	15	18	L	400	46,5	32	24	27
KORL 22-6TLM	6	22	L	250	47	36	27	14
KORL 22-8TLM	8	22	L	250	47	36	27	17
KORL 22-10TLM	10	22	L	250	48,0	36	27	19
KORL 22-12TLM	12	22	L	250	48,0	36	27	22
KORL 22-15TLM	15	22	L	250	49,0	36	27	27
KORL 22-18TLM	18	22	L	250	50	36	27	32
KORL 28-6TLM	6	28	L	250	49	41	32	14
KORL 28-8TLM	8	28	L	250	49	41	32	17
KORL 28-10TLM	10	28	L	250	50	41	32	19

Racores DIN 2353

Uniones Métricas

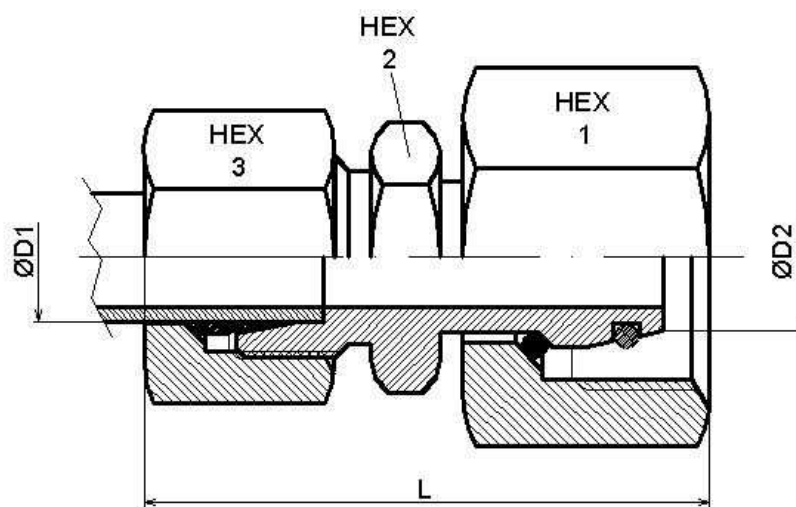
Racor de reducción TL Métrica (serie ligera)

2/2

Artículo	ØD1	ØD2	Serie	Presión de trabajo (bar)	L	HEX 1	HEX 2	HEX 3
KORL 28-12TLM	12	28	L	250	50	41	32	22
KORL 28-15TLM	15	28	L	250	51	41	32	27
KORL 28-18TLM	18	28	L	250	52	41	32	32
KORL 28-22TLM	22	28	L	250	54	41	32	36
KORL 35-15TLM	15	35	L	250	55	50	41	27
KORL 35-18TLM	18	35	L	250	56	50	41	32
KORL 35-22TLM	22	35	L	250	58	50	41	36
KORL 35-28TLM	28	35	L	250	58	50	41	41
KORL 42-18TLM	18	42	L	250	58,5	60	50	32
KORL 42-22TLM	22	42	L	250	60,5	60	50	36
KORL 42-28TLM	28	42	L	250	61,5	60	50	41
KORL 42-35TLM	35	42	L	250	64,5	60	50	50

Racor de reducción TL Métrica (serie pesada)

1/2



Artículo	ØD1	ØD2	Serie	Presión de trabajo (bar)	L	HEX 1	HEX 2	HEX 3
KORS 8-6TLM	6	8	S	630	43	19	14	17
KORS 10-6TLM	6	10	S	630	44,5	22	17	17
KORS 10-8TLM	8	10	S	630	44,5	22	17	19
KORS 12-6TLM	6	12	S	630	45	24	17	17
KORS 12-8TLM	8	12	S	630	45	24	17	19
KORS 12-10TLM	10	12	S	630	47	24	19	22
KORS 14-6TLM	6	14	S	630	48	27	19	17
KORS 14-8TLM	8	14	S	630	48	27	19	19
KORS 14-10TLM	10	14	S	630	49	27	19	22
KORS 14-12TLM	12	14	S	630	49	27	22	24
KORS 16-8TLM	8	16	S	420	49	30	22	19
KORS 16-10TLM	10	16	S	420	50	30	22	22
KORS 16-12TLM	12	16	S	420	50	30	22	24
KORS 16-14TLM	14	16	S	420	53,5	30	24	27
KORS 20-6TLM	6	20	S	420	54	36	27	17
KORS 20-8TLM	8	20	S	420	54	36	27	19
KORS 20-10TLM	10	20	S	420	55	36	27	22
KORS 20-12TLM	12	20	S	420	55	36	27	24
KORS 20-14TLM	14	20	S	420	58	36	27	27
KORS 20-16TLM	16	20	S	420	58	36	27	30
KORS 25-6TLM	6	25	S	420	56,5	46	32	17
KORS 25-8TLM	8	25	S	420	56,5	46	32	19
KORS 25-10TLM	10	25	S	420	57,5	46	32	22
KORS 25-12TLM	12	25	S	420	57,5	46	32	24

Racores DIN 2353

Uniones Métricas

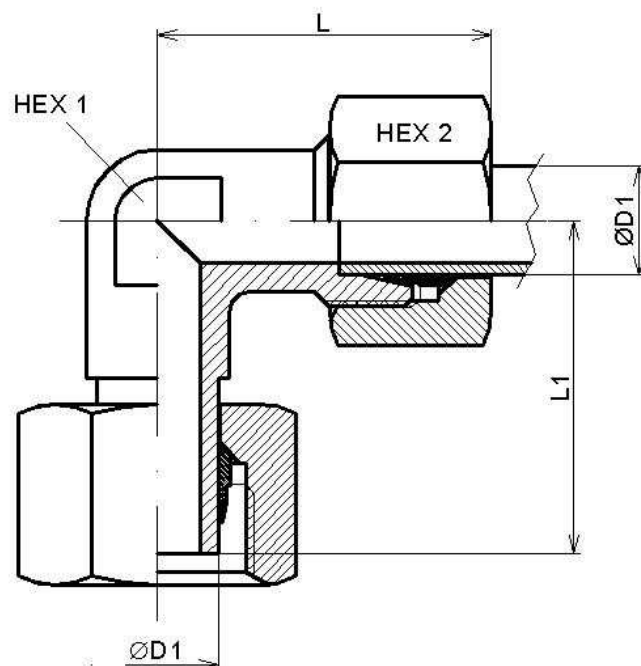
Racor de reducción TL Métrica (serie pesada)

2/2

Artículo	ØD1	ØD2	Serie	Presión de trabajo (bar)	L	HEX 1	HEX 2	HEX 3
KORS 25-14TLM	14	25	S	420	60,5	46	32	27
KORS 25-16TLM	16	25	S	420	60,5	46	32	30
KORS 25-20TLM	20	25	S	420	63,5	46	32	36
KORS 30-12TLM	12	30	S	420	62,5	50	41	24
KORS 30-16TLM	16	30	S	420	65,5	50	41	30
KORS 30-20TLM	20	30	S	420	68,5	50	41	36
KORS 30-25TLM	25	30	S	420	71,5	50	41	46
KORS 38-12TLM	12	38	S	315	66,5	60	50	24
KORS 38-16TLM	16	38	S	315	69,5	60	50	30
KORS 38-20TLM	20	38	S	315	72,5	60	50	36
KORS 38-25TLM	25	38	S	315	75,5	60	50	46
KORS 38-30TLM	30	38	S	315	78,5	60	50	50

Racores DIN 2353

Racores regulables

Racor en codo regulable con tuerca y anillo**FLUIDAL****1/1**

Artículo	ØD1	Serie	R1	Presión de trabajo (bar)	L	L1	HEX 1	HEX 2
EEL 6 CTA	6	L	M12x1,5	315	27	26	12	14
EEL 8 CTA	8	L	M14x1,5	315	29	27,5	12	17
EEL 10 CTA	10	L	M16x1,5	315	30	29	14	19
EEL 12 CTA	12	L	M18x1,5	315	32	29,5	17	22
EEL 15 CTA	15	L	M22x1,5	315	36	32,5	19	27
EEL 18 CTA	18	L	M26x1,5	315	40	33,5	24	32
EEL 22 CTA	22	L	M30x2	160	44	38	27	36
EEL 28 CTA	28	L	M36x2	160	47	41,5	36	41
EEL 35 CTA	35	L	M45x2	160	56	51	41	50
EEL 42 CTA	42	L	M52x2	160	63	56	50	60
EES 6 CTA	6	S	M14x1,5	630	31	27	12	17
EES 8 CTA	8	S	M16x1,5	630	32	27,5	14	19
EES 10 CTA	10	S	M18x1,5	630	34	29,5	17	22
EES 12 CTA	12	S	M20x1,5	630	38	30,5	17	24
EES 14 CTA	14	S	M22x1,5	400	40	35	19	27
EES 16 CTA	16	S	M24x1,5	400	43	36,5	24	30
EES 20 CTA	20	S	M30x2	400	48	44,5	27	36
EES 25 CTA	25	S	M36x2	400	54	49,5	36	46
EES 30 CTA	30	S	M42x2	400	62	55	41	50
EES 38 CTA	38	S	M52x2	315	72	63	50	60

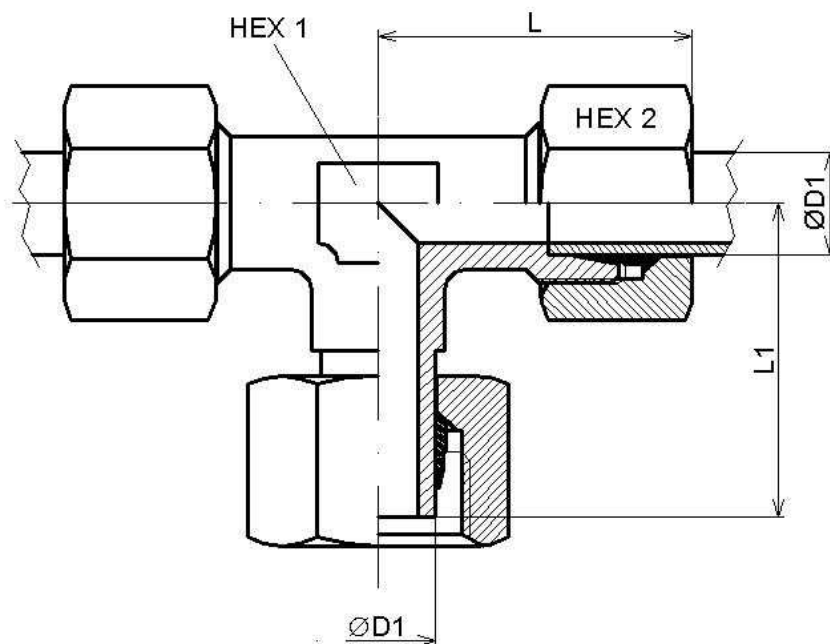
Racores DIN 2353

Racores regulables

Racor en T regulable con tuerca y anillo



1/1



Artículo	ØD1	Serie	R1	Presión de trabajo (bar)	L	L1	HEX 1	HEX 2
TEL 10 CTA	10	L	M16x1,5	315	30	28,5	14	19
TEL 12 CTA	12	L	M18x1,5	315	32	29	17	22
TEL 15 CTA	15	L	M22x1,5	315	36	32	19	27
TEL 22 CTA	22	L	M30x2	160	44	38	27	36
TES 8 CTA	8	S	M16x1,5	630	32	27	14	19
TES 30 CTA	30	S	M42x2	400	62	55	41	50

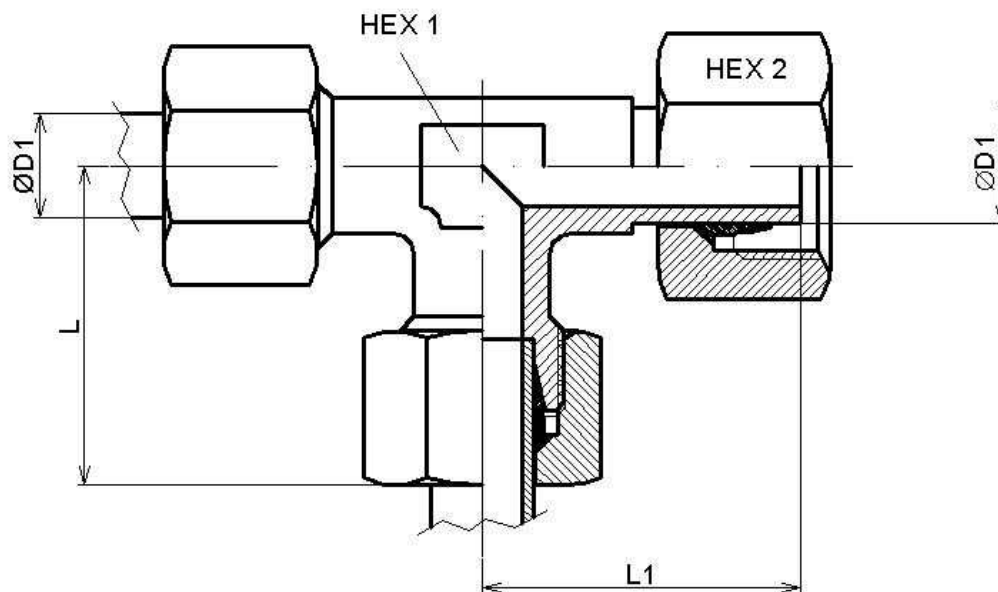
Racores DIN 2353

Racores regulables

Racor en L regulable con tuerca y anillo



1/1



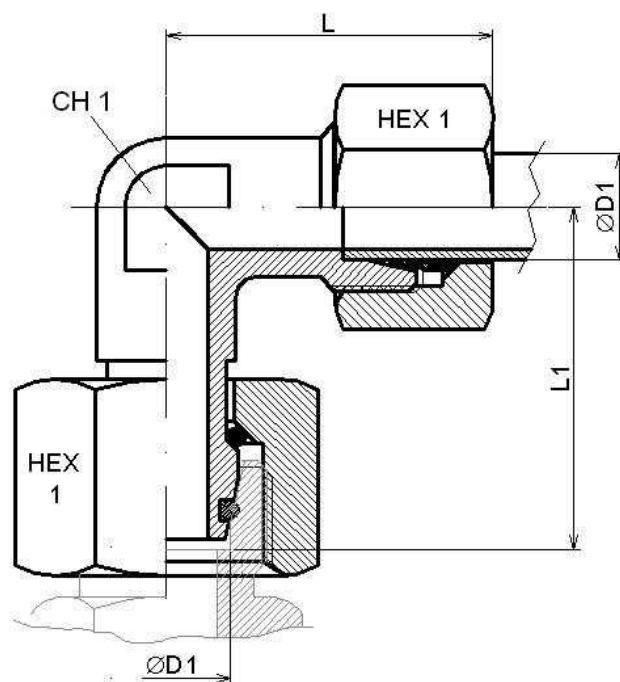
Artículo	ØD1	Serie	R1	Presión de trabajo (bar)	L	L1	HEX 1	HEX 2
LEL 12 CTA	12	L	M18x1,5	315	32	29	17	22
LEL 18 CTA	18	L	M26x1,5	315	40	35	24	32
LES 8 CTA	8	S	M16x1,5	630	32	27	14	19
LES 25 CTA	25	S	M36x2	400	54	49,5	36	46

Racores DIN 2353

Racores regulables

Racor en codo tubo-TL Métrica**FLUIDAL**

1/1



Artículo	ØD1	Serie	R1	Presión de trabajo (bar)	L	L1	HEX 1	CH1
EEL 6 TLM	6	L	M12x1,5	500	26	12	14	12
EEL 8 TLM	8	L	M14x1,5	500	27,5	14	17	12
EEL 10 TLM	10	L	M16x1,5	500	29	15	19	14
EEL 12 TLM	12	L	M18x1,5	400	29,5	17	22	17
EEL 15 TLM	15	L	M22x1,5	400	32,5	21	27	19
EEL 18 TLM	18	L	M26x1,5	315	35,5	23,5	32	24
EEL 22 TLM	22	L	M30x2	250	38,5	27,5	36	27
EEL 28 TLM	28	L	M36x2	250	41,5	30,5	41	36
EEL 35 TLM	35	L	M45x2	250	51	34,5	50	41
EEL 42 TLM	42	L	M52x2	160	56	40	60	50
EES 6 TLM	6	S	M14x1,5	630	27	16	17	12
EES 8 TLM	8	S	M16x1,5	630	27,5	17	19	14
EES 10 TLM	10	S	M18x1,5	630	30	17,5	22	17
EES 12 TLM	12	S	M20x1,5	630	31	21,5	24	17
EES 14 TLM	14	S	M22x1,5	630	35	22	27	19
EES 16 TLM	16	S	M24x1,5	420	36,5	24,5	30	24
EES 20 TLM	20	S	M30x2	420	44,5	26,5	36	27
EES 25 TLM	25	S	M36x2	420	50	30	46	36
EES 30 TLM	30	S	M42x2	420	55,5	35,5	50	41
EES 38 TLM	38	S	M52x2	315	63	41	60	50

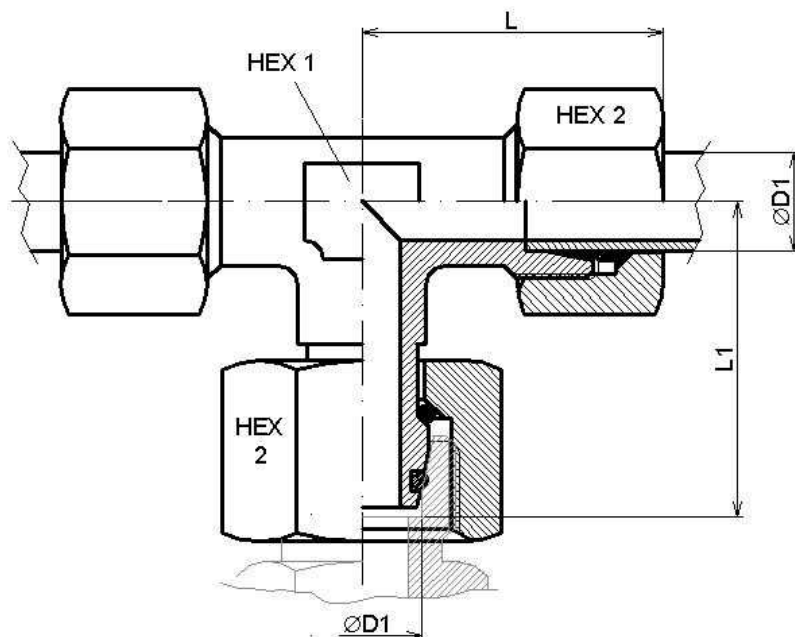
Racores DIN 2353

Racores regulables

Racor en T tubo-TL Métrica



1/1



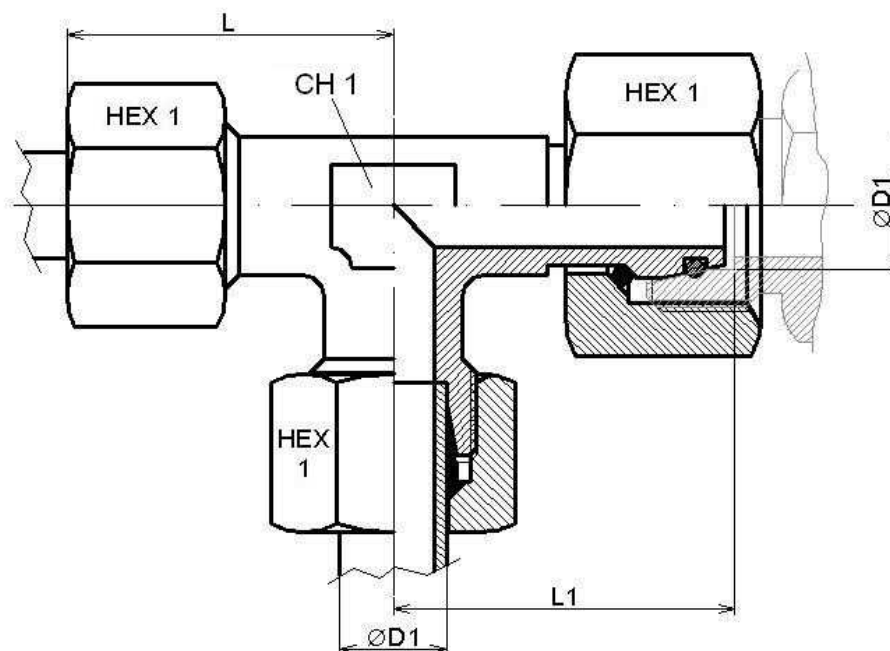
Artículo	ØD1	Serie	R1	Presión de trabajo (bar)	L	L1	HEX 1	HEX 2
TEL 6 TLM	6	L	M12x1,5	500	27	26	12	14
TEL 8 TLM	8	L	M14x1,5	500	29	27,5	12	17
TEL 10 TLM	10	L	M16x1,5	500	30	29	14	19
TEL 12 TLM	12	L	M18x1,5	400	32	29,5	17	22
TEL 15 TLM	15	L	M22x1,5	400	36	32,5	19	27
TEL 18 TLM	18	L	M26x1,5	315	40	35,5	24	32
TEL 22 TLM	22	L	M30x2	250	44	38,5	27	36
TEL 28 TLM	28	L	M36x2	250	47	41,5	36	41
TEL 35 TLM	35	L	M45x2	250	56	51	41	50
TEL 42 TLM	42	L	M52x2	160	63	56	50	60
TES 6 TLM	6	S	M14x1,5	630	31	27	12	17
TES 8 TLM	8	S	M16x1,5	630	32	27,5	14	19
TES 10 TLM	10	S	M18x1,5	630	34	30	17	22
TES 12 TLM	12	S	M20x1,5	630	38	31	17	24
TES 14 TLM	14	S	M22x1,5	630	40	35	19	27
TES 16 TLM	16	S	M24x1,5	420	43	36,5	24	30
TES 20 TLM	20	S	M30x2	420	48	44,5	27	36
TES 25 TLM	25	S	M36x2	420	54	50	36	46
TES 30 TLM	30	S	M42x2	420	62	55,5	41	50
TES 38 TLM	38	S	M52x2	315	72	63	50	60

Racores DIN 2353

Racores regulables

Racor en L tubo-TL Métrica**FLUIDAL**

1/1



Artículo	ØD1	Serie	R1	Presión de trabajo (bar)	L	L1	HEX 1	CH1
LEL 6 TLM	6	L	M12x1,5	500	27	26	14	12
LEL 8 TLM	8	L	M14x1,5	500	29	27,5	17	12
LEL 10 TLM	10	L	M16x1,5	500	30	29	19	14
LEL 12 TLM	12	L	M18x1,5	400	32	29,5	22	17
LEL 15 TLM	15	L	M22x1,5	400	36	32,5	27	19
LEL 18 TLM	18	L	M26x1,5	315	40	35,5	32	24
LEL 22 TLM	22	L	M30x2	250	44	38,5	36	27
LEL 28 TLM	28	L	M36x2	250	47	41,5	41	36
LEL 35 TLM	35	L	M45x2	250	56	51	50	41
LEL 42 TLM	42	L	M52x2	160	63	56	60	50
LES 6 TLM	6	S	M14x1,5	630	31	27	17	12
LES 8 TLM	8	S	M16x1,5	630	32	27,5	19	14
LES 10 TLM	10	S	M18x1,5	630	34	30	22	17
LES 12 TLM	12	S	M20x1,5	630	38	31	24	17
LES 14 TLM	14	S	M22x1,5	630	40	35	27	19
LES 16 TLM	16	S	M24x1,5	420	43	36,5	30	24
LES 20 TLM	20	S	M30x2	420	48	44,5	36	27
LES 25 TLM	25	S	M36x2	420	54	50	46	36
LES 30 TLM	30	S	M42x2	420	62	55,5	50	41
LES 38 TLM	38	S	M52x2	315	72	63	60	50

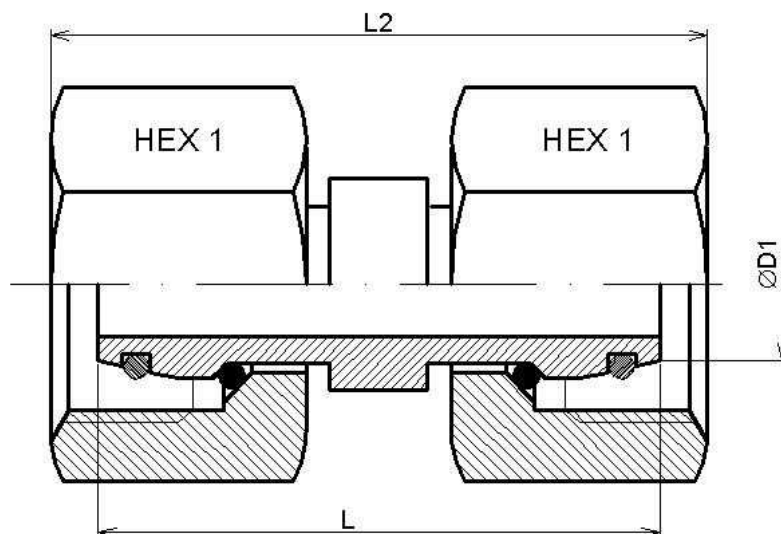
Racores DIN 2353

Tubo roscado (hembra giratoria)

Racor unión TL-TL Métrica



1/1



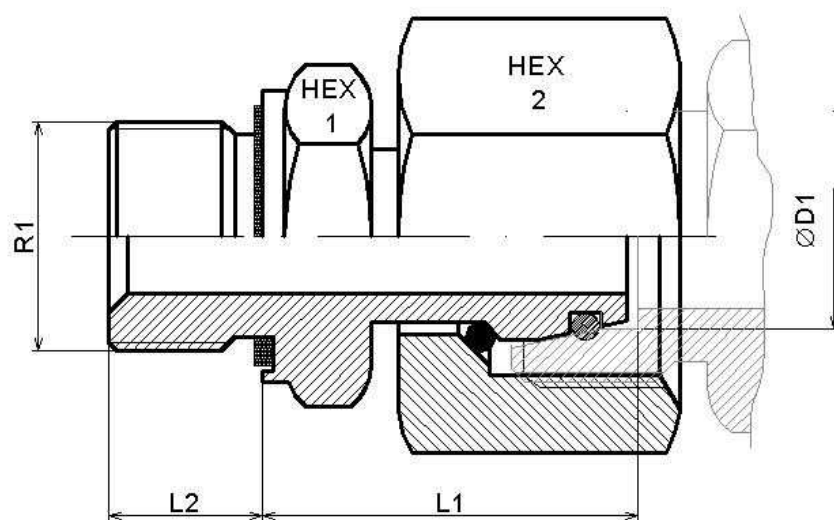
Artículo	ØD1	Serie	Presión de trabajo (bar)	L	L1	HEX 1
ATL 6	6	L	500	32	36	14
ATL 8	8	L	500	32	36	17
ATL 10	10	L	500	34	37	19
ATL 12	12	L	400	34	37	22
ATL 15	15	L	400	37	40	27
ATL 18	18	L	400	38,5	42,5	32
ATL 22	22	L	250	42,5	46,5	36
ATL 28	28	L	250	44,5	48,5	41
ATL 35	35	L	250	51	58	50
ATL 42	42	L	250	52	59	60
ATS 6	6	S	630	35	39	17
ATS 8	8	S	630	35	39	19
ATS 10	10	S	630	39	43	22
ATS 12	12	S	630	40	44	24
ATS 14	14	S	630	43	48	27
ATS 16	16	S	420	44	50	30
ATS 20	20	S	420	53,5	59,5	36
ATS 25	25	S	420	56,5	65,5	46
ATS 30	30	S	420	60,5	73,5	50
ATS 38	38	S	315	65,5	82,5	60

Racores DIN 2353

Tubo roscado (hembra giratoria)

Tubo roscado recto métrico TLM con junta**FLUIDAL**

1/1



Artículo	ØD1	Serie	R1	Presión de trabajo (bar)	L1	L2	HEX 1	HEX 2	OR 1
RAL 6 TLM M 10X1	6	L	M10X1	500	24,5	8	14	14	4x1,5
RAL 8 TLM M 12X1.5	8	L	M12X1.5	500	26,5	12	17	17	6x1,5
RAL 10 TLM M 14X1.5	10	L	M14X1.5	500	27,5	12	19	19	7,5x1,5
RAL 12 TLM M 16X1.5	12	L	M16X1.5	400	30,5	12	22	22	9x1,5
RAL 15 TLM M 18X1.5	15	L	M18X1.5	400	31,5	12	24	27	12x2
RAL 18 TLM M 22X1.5	18	L	M22X1.5	400	31,5	14	27	32	15x2
RAL 22 TLM M 26X1.5	22	L	M26X1.5	250	32,5	16	32	36	20x2
RAL 28 TLM M 33X2	28	L	M33X2	250	35	18	41	41	26x2
RAL 35 TLM M 42X2	35	L	M42X2	250	42,5	20	50	50	32x2,5
RAL 42 TLM M 48X2	42	L	M48X2	250	46,5	22	55	60	38x2,5
RAS 6 TLM M 12X1.5	6	S	M12X1.5	630	27	12	17	17	4x1,5
RAS 8 TLM M 14X1.5	8	S	M14X1.5	630	29,5	12	19	19	6x1,5
RAS 10 TLM M 16X1.5	10	S	M16X1.5	630	32	12	22	22	7,5x1,5
RAS 12 TLM M 18X1.5	12	S	M18X1.5	630	34	12	24	24	9x1,5
RAS 14 TLM M 20X1.5	14	S	M20X1.5	630	36,5	14	27	27	10x2
RAS 16 TLM M 22X1.5	16	S	M22X1.5	420	37	14	27	30	12x2
RAS 20 TLM M 27X2	20	S	M27X2	420	43	16	32	36	16x2,5
RAS 25 TLM 33X2	25	S	M33X2	420	48	18	41	46	20x2,5
RAS 30 TLM M 42X2	30	S	M42X2	420	51	20	50	50	25x2,5
RAS 38 TLM M 48X2	38	S	M48X2	315	60	22	55	60	33x2,5

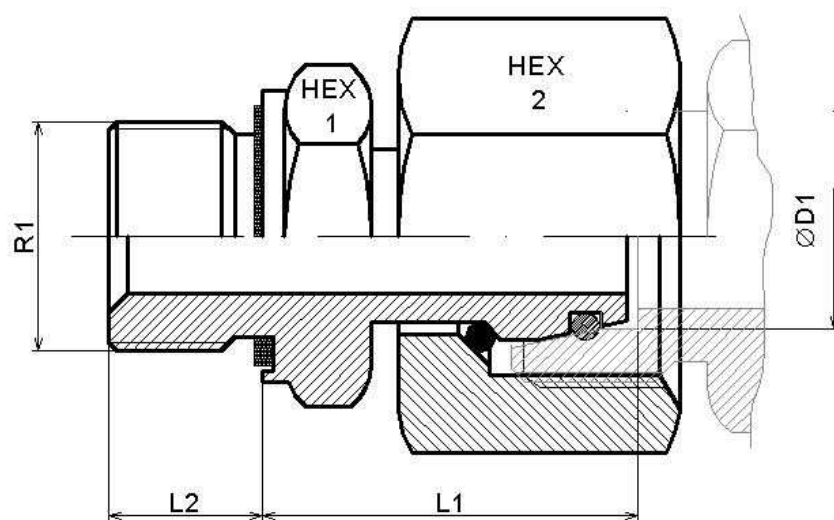
Racores DIN 2353

Tubo roscado (hembra giratoria)

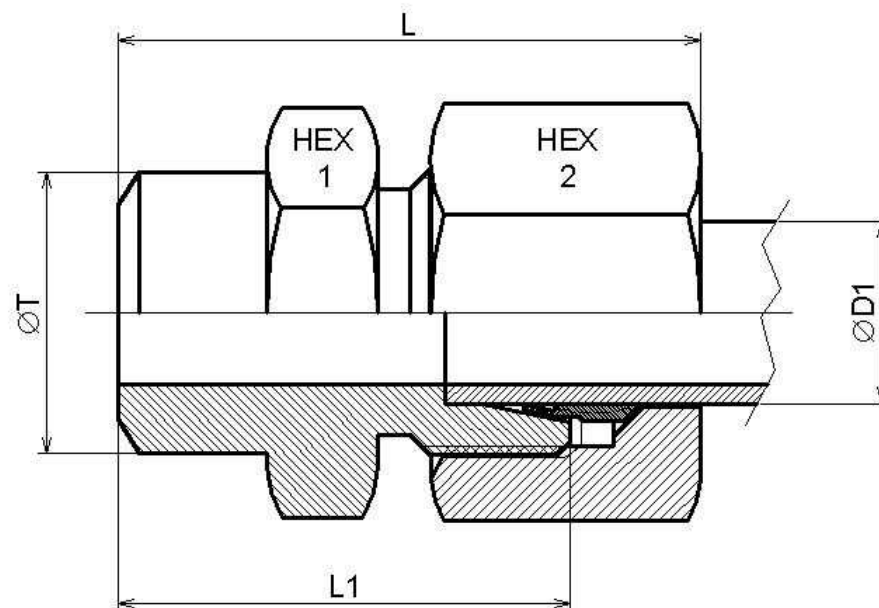
Tubo roscado recto BSP TLM con junta



1/1



Artículo	ØD1	Serie	R1	Presión de trabajo (bar)	L1	L2	HEX 1	HEX 2	OR 1
RAL 6 TLM R 1/8	6	L	1/8"BSP	500	24,5	8	14	14	4x1,5
RAL 8 TLM R 1/4	8	L	1/4"BSP	500	29,5	12	19	17	6x1,5
RAL 10 TLM R 1/4	10	L	1/4"BSP	500	27,5	12	19	19	7,5x1,5
RAL 12 TLM R 3/8	12	L	3/8"BSP	400	34	12	22	22	9x1,5
RAL 15 TLM R 1/2	15	L	1/2"BSP	400	32	14	27	27	12x2
RAL 18 TLM R 1/2	18	L	1/2"BSP	400	31,5	14	27	32	15x2
RAL 22 TLM R 3/4	22	L	3/4"BSP	250	32	16	32	36	20x2
RAL 28 TLM R 1	28	L	1"BSP	250	35	18	41	41	26x2
RAL 35 TLM R 1 1/4	35	L	1"1/4BSP	250	42,5	20	50	50	32x2,5
RAL 42 TLM R 1 1/2	42	L	1"1/2 BSP	250	46,5	22	55	60	38x2,5
RAS 6 TLM R 1/4	6	S	1/4"BSP	630	27	12	19	17	4x1,5
RAS 8 TLM R 1/4	8	S	1/4"BSP	630	29,5	12	19	19	6x1,5
RAS 10 TLM R 3/8	10	S	3/8"BSP	630	32	12	22	22	7,5x1,5
RAS 12 TLM R 3/8	12	S	3/8"BSP	630	34	12	22	24	9x1,5
RAS 14 TLM R 1/2	14	S	1/2"BSP	630	36,5	14	27	27	10x2
RAS 16 TLM R 1/2	16	S	1/2"BSP	420	37	14	27	30	12x2
RAS 20 TLM R 3/4	20	S	3/4"BSP	420	42,5	16	32	36	16x2,5
RAS 25 TLM R 1	25	S	1"BSP	420	47,5	18	41	46	20x2,5
RAS 30 TLM R 1 1/4	30	S	1"1/4BSP	420	51	20	50	50	25x2,5
RAS 38 TLM R 1 1/2	38	S	1"1/2BSP	315	59,5	22	55	60	33x2,5

Racor recto para soldar

Artículo	ØD1	Serie	Presión de trabajo (bar)	L	L1	HEX 1	HEX 2	ØT
ASL 6	6	L	315	29	21	14	14	10
ASL 8	8	L	315	31	23	14	17	12
ASL 10	10	L	315	33	25	17	19	14
ASL 12	12	L	315	33	25	19	22	16
ASL 15	15	L	315	37	29	22	27	19
ASL 18	18	L	315	40	31	27	32	22
ASL 22	22	L	160	45	36	32	36	27
ASL 28	28	L	160	47	38	41	41	32
ASL 35	35	L	160	54	43	46	50	40
ASL 42	42	L	160	58	46	55	60	46
ASS 6	6	S	630	34	26	14	17	11
ASS 8	8	S	630	36	28	17	19	13
ASS 10	10	S	630	39	30	19	22	15
ASS 12	12	S	630	41	32	22	24	17
ASS 14	14	S	630	45	35	24	27	19
ASS 16	16	S	400	45	35	27	30	21
ASS 20	20	S	400	51	40	32	36	26
ASS 25	25	S	400	56	44	41	46	31
ASS 30	30	S	400	62	49	46	50	36
ASS 38	38	S	315	69	54	55	60	44

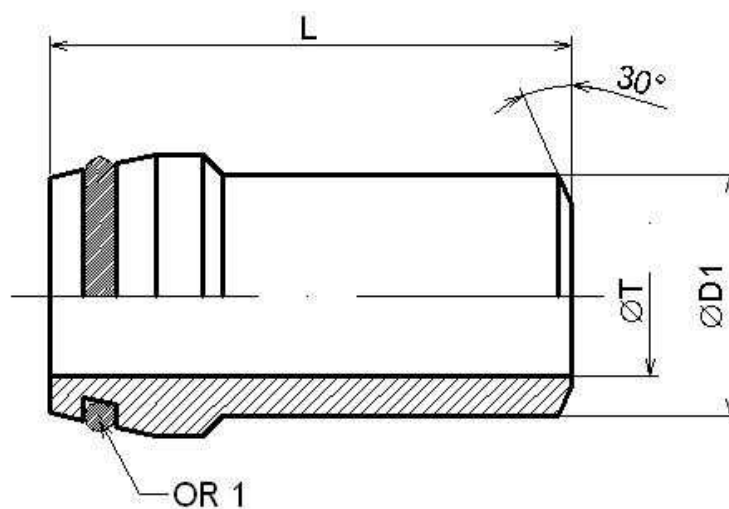
Tratamiento superficial del cuerpo: Pavonado

Racores DIN 2353

Soldables

Boquilla para soldar

1/1

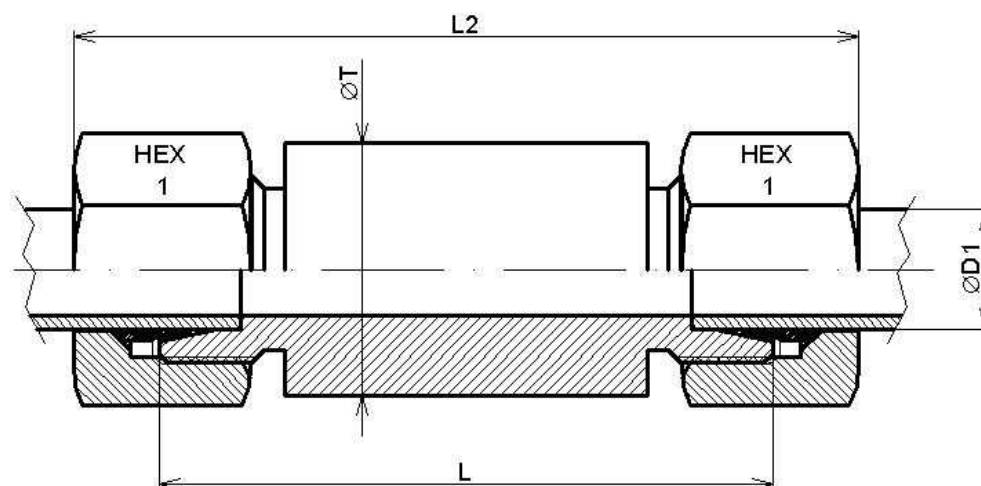


Artículo	ØD1	Serie	Presión de trabajo (bar)	L	OR 1	ØT
ORIL 15	15	L	315	34,5	12x2	10
ORIL 18	18	L	315	36	15x2	13
ORIL 22	22	L	160	37	19x2	17
ORIL 28	28	L	160	41,5	26X2	22
ORIS 8X1.5	8	S	413	30	6x1,5	5
ORIS 10X2	10	S	459	31,5	7,5x1,5	6
ORIS 12X2.5	12	S	475	31,5	9x1,5	7
ORIS 14X2	14	S	343	37,5	10x2	10
ORIS 14X3	14	S	485	37,5	10x2	8
ORIS 16X2	16	S	304	37,5	12x2	12
ORIS 16X2.5	16	S	370	37,5	12x2	11
ORIS 16X3	16	S	400	37,5	12x2	10
ORIS 20X2.5	20	S	304	43	16x2,5	15
ORIS 20X3	20	S	358	43	16x2,5	14
ORIS 20X4	20	S	400	43	16x2,5	12
ORIS 25X4	25	S	377	48	20x2,5	17
ORIS 30X4	30	S	322	51,5	25x2,5	22
ORIS 30X5	30	S	391	51,5	25x2,5	20
ORIS 38X5	38	S	315	55	33.30X2.40	28

Tratamiento superficial: Pavonado

Racor pasatabique para soldar

1/1



Artículo	ØD1	Serie	Presión de trabajo (bar)	L	L2	HEX 1	ØT
ESVL 6	6	L	500	70	86	14	18
ESVL 8	8	L	500	70	86	17	20
ESVL 10	10	L	500	72	88	19	22
ESVL 12	12	L	400	72	88	22	25
ESVL 15	15	L	400	84	100	27	28
ESVL 18	18	L	400	84	102	32	32
ESVL 22	22	L	250	88	106	36	36
ESVL 28	28	L	250	88	106	41	40
ESVL 35	35	L	250	92	114	50	50
ESVL 42	42	L	250	92	116	60	60
ESVS 6	6	S	630	74	90	17	20
ESVS 8	8	S	630	74	90	19	22
ESVS 10	10	S	630	74	92	22	25
ESVS 12	12	S	630	74	92	24	28
ESVS 14	14	S	630				
ESVS 16	16	S	420	88	108	30	35
ESVS 20	20	S	420	92	114	36	38
ESVS 25	25	S	420	96	120	46	45
ESVS 30	30	S	420	100	126	50	50
ESVS 38	38	S	315	104	134	60	60

Tratamiento superficial del cuerpo: Pavonado

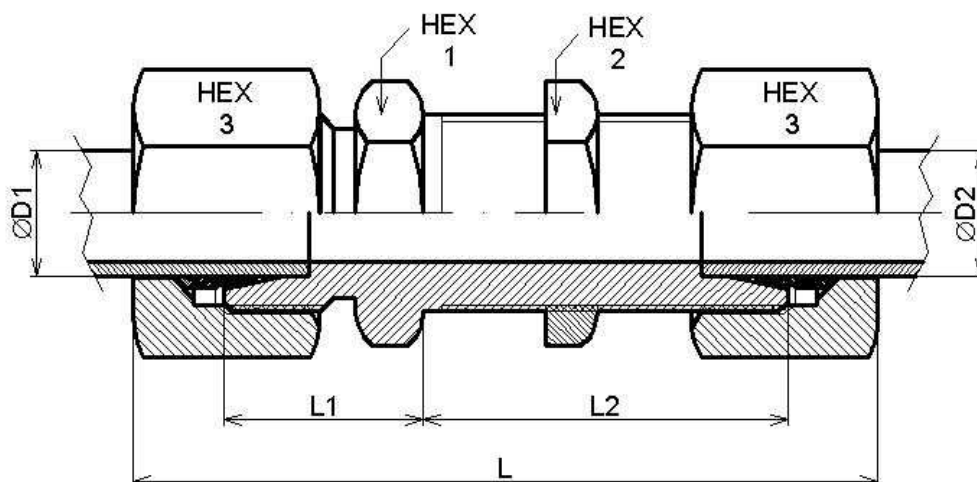
Racores DIN 2353

Pasatabiques

Racor recto pasatabiques con tuerca



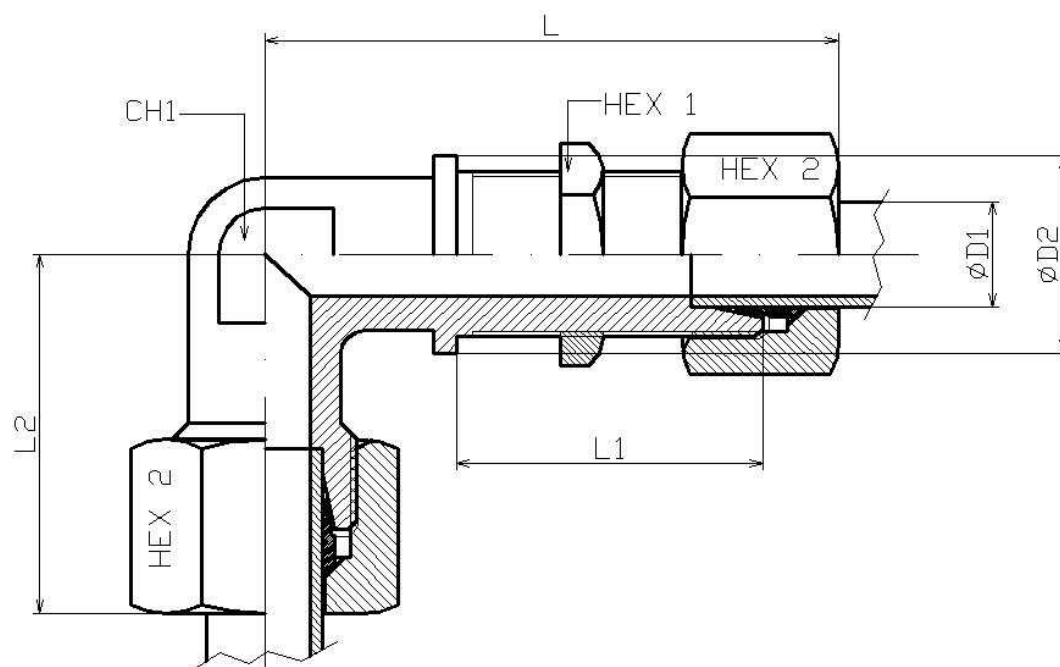
1/1



Artículo	ØD1	ØD2	Serie	Presión de trabajo (bar)	L	L1	L2	HEX 1	HEX 2	HEX 3
SVL 6	6	6	L	500	64	14	34	17	17	14
SVL 8	8	8	L	500	65	15	34	19	19	17
SVL 10	10	10	L	500	68	17	35	22	22	19
SVL 12	12	12	L	400	69	17	36	24	24	22
SVL 15	15	15	L	400	73	19	38	27	30	27
SVL 18	18	18	L	400	79	21	40	32	36	32
SVL 22	22	22	L	250	84	24	42	36	41	36
SVL 28	28	28	L	250	87	26	43	41	46	41
SVL 35	35	35	L	250	98	29	47	50	55	50
SVL 42	42	42	L	250	101	30	47	60	65	60
SVS 6	6	6	S	630	71	19	36	19	19	17
SVS 8	8	8	S	630	72	20	36	22	22	19
SVS 10	10	10	S	630	77	22	37	24	24	22
SVS 12	12	12	S	630	78	22	38	27	27	24
SVS 14	14	14	S	630	85	24	40	30	30	27
SVS 16	16	16	S	420	85	26	40	32	32	30
SVS 20	20	20	S	420	94	29	44	41	41	36
SVS 25	25	25	S	420	103	31	47	46	46	46
SVS 30	30	30	S	420	112	34	51	50	50	50
SVS 38	38	38	S	315	121	37	53	65	65	60

Racores DIN 2353

Pasatabiques

Racor en codo pasatabiques con tuerca**FLUIDAL****1/1**

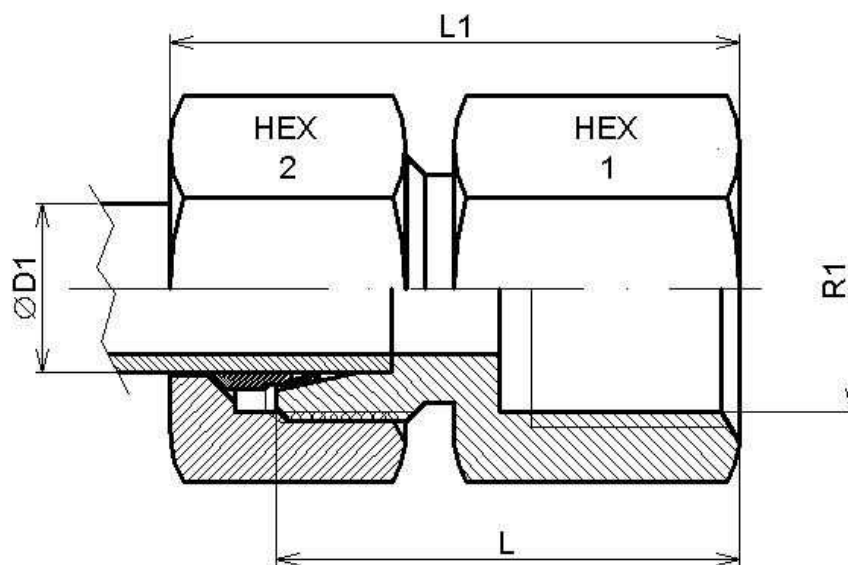
Artículo	ØD1	ØD2	Serie	Presión de trabajo (bar)	L	L1	L2	HEX 1	HEX 2	CH1
USVL 6	6	17	L	315	56	27	27	17	14	12
USVL 8	8	19	L	315	59	27	29	19	17	12
USVL 10	10	22	L	315	61	28	30	22	19	14
USVL 12	12	24	L	315	64	29	32	24	22	17
USVL 15	15	27	L	315	69	31	36	30	27	19
USVL 18	18	32	L	315	73	32,5	40	36	32	24
USVL 22	22	36	L	160	81	34,5	44	41	36	27
USVL 28	28	42	L	160	86	35,5	47	46	41	36
USVL 35	35	50	L	160	97	36,5	56	55	50	41
USVL 42	42	60	L	160	102	36	63	65	60	50
USVS 8	8	22	S	630	62	29	32	22	19	14
USVS 10	10	24	S	630	66	29,5	34	24	22	17
USVS 12	12	27	S	630	68	30,5	38	27	24	17
USVS 14	14	27	S	630	73	32	40	30	27	19
USVS 16	16	30	S	400	74	31,5	43	32	30	24
USVS 20	20	36	S	400	85	33,5	48	41	36	27
USVS 25	25	42	S	400	93	35	54	46	46	36
USVS 30	30	50	S	400	103	37,5	62	50	50	41
USVS 38	38	60	S	315	111	37	72	65	60	50

Racores DIN 2353

Racor recto hembra

Racor recto hembra rosca BSP**FLUIDAL**

1/1



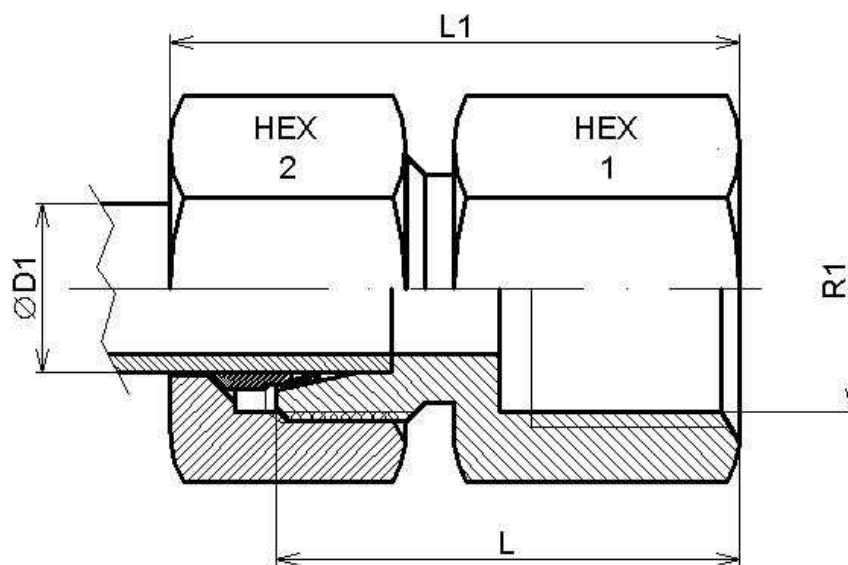
Artículo	ØD1	Serie	R1	Presión de trabajo (bar)	L	L1	HEX 1	HEX 2
GAIL 6 R 1/8	6	L	1/8" BSP	315	26	34	14	14
GAIL 8 R 1/4	8	L	1/4" BSP	315	31	39	19	17
GAIL 10 R 1/4	10	L	1/4" BSP	315	32	40	19	19
GAIL 10 R 3/8	10	L	3/8" BSP	315	33	41	22	19
GAIL 10 R 1/2	10	L	1/2" BSP	315	37	45	27	19
GAIL 12 R 3/8	12	L	3/8" BSP	315	33	41	22	22
GAIL 12 R 1/2	12	L	1/2" BSP	315	37	45	27	22
GAIL 15 R 1/2	15	L	1/2" BSP	315	38	46	27	27
GAIL 18 R 1/2	18	L	1/2" BSP	315	38	47	27	32
GAIL 22 R 3/4	22	L	3/4" BSP	160	43	52	32	36
GAIL 28 R 1	28	L	1" BSP	160	45,5	54,5	41	41
GAIL 35 R 1 1/4	35	L	1"1/4 BSP	160	51,5	62,5	50	50
GAIL 42 R 1 1/2	42	L	1"1/2 BSP	160	53,5	65,5	55	60
GAIS 6 R 1/4	6	S	1/4" BSP	400	33	41	19	17
GAIS 8 R 1/4	8	S	1/4" BSP	400	33	41	19	19
GAIS 10 R 3/8	10	S	3/8" BSP	400	34	43	24	22
GAIS 14 R 1/2	14	S	1/2" BSP	400	40	50	27	27
GAIS 16 R 1/2	16	S	1/2" BSP	400	40	50	27	30
GAIS 20 R 3/4	20	S	3/4" BSP	315	45	56	36	36
GAIS 25 R 1	25	S	1" BSP	315	49,5	61,5	41	46
GAIS 30 R 1 1/4	30	S	1"1/4 BSP	315	55,5	68,5	50	50
GAIS 38 R 1 1/2	38	S	1"1/2 BSP	250	59,5	74,5	60	60

Racores DIN 2353

Racor recto hembra

Racor recto hembra rosca Métrica**FLUIDAL**

1/1



Artículo	ØD1	Serie	R1	Presión de trabajo (bar)	L	L1	HEX 1	HEX 2
GAIL 6 M 10X1	6	L	M10x1	315	26,5	34,5	14	14
GAIL 8 M 12X1.5	8	L	M12x1,5	315	31	39	17	17
GAIL 10 M14X1.5	10	L	M14x1.5	315	32	40	19	19
GAIL 12 M16X1.5	12	L	M16x1.5	315	33	41	22	22
GAIL 15 M18X1.5	15	L	M18x1.5	315	35	43	24	27
GAIL 18 M22X1.5	18	L	M22x1.5	315	37	46	27	32
GAIL 22 M26X1.5	22	L	M26x1.5	160	42	51	32	36
GAIS 6 M 12X1.5	6	S	M12x1,5	400	33	41	17	17
GAIS 8 M 14X1.5	8	S	M14x1,5	400	33	41	19	19
GAIS 10 M16X1.5	10	S	M16x1.5	400	34	43	22	22
GAIS 12 M18X1.5	12	S	M18x1.5	400	35	44	24	24
GAIS 14 M20X1.5	14	S	M20x1.5	400	39	49	27	27
GAIS 20 M 27X2	20	S	M27x2	315	45	56	36	36

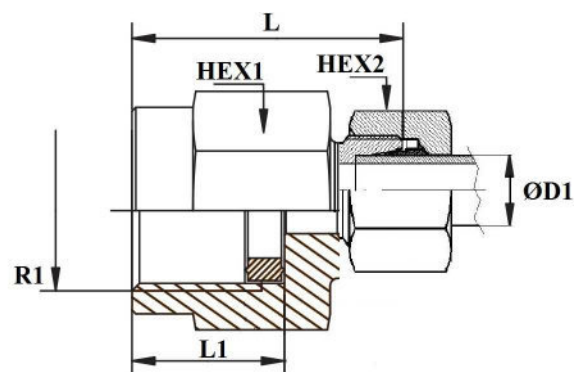
Racores DIN 2353

Racor recto hembra

Racor para manómetro BSP



1/1



Artículo	ØD1	Serie	R1	Presión de trabajo (bar)	L	L1	HEX 1	HEX 2
MAVL 6 R 1/4	6	L	1/4" BSP	315	29	14,5	19	14
MAVL 8 R 1/4	8	L	1/4" BSP	315	29	14,5	19	17
MAVL 10 R 1/4	10	L	1/4" BSP	315	30	14,5	19	19
MAVL 12 R 1/4	12	L	1/4" BSP	315	30	14,5	19	22
MAVS 6 R 1/2	6	S	1/2" BSP	630	38	20	27	17
MAVS 8 R 1/2	8	S	1/2" BSP	630	38	20	27	19
MAVS 10 R 1/2	10	S	1/2" BSP	330	38	20	27	22
MAVS 12 R 1/2	12	S	1/2" BSP	630	38	20	27	24

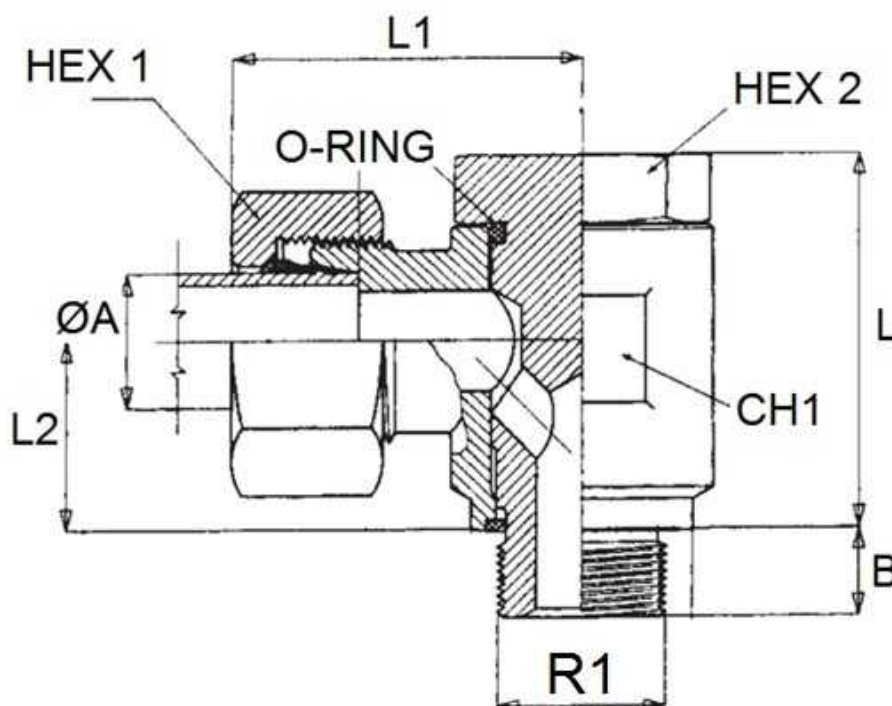
Racores DIN 2353

Orientables

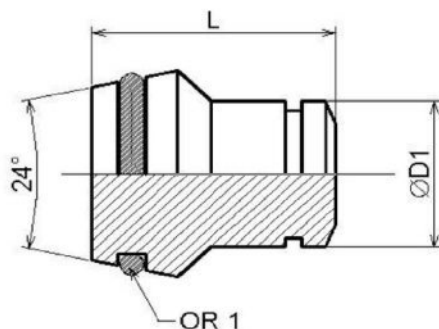
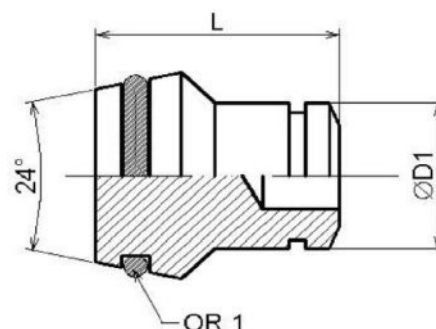
Racor en codo orientable sin estrangulador rosca BSP



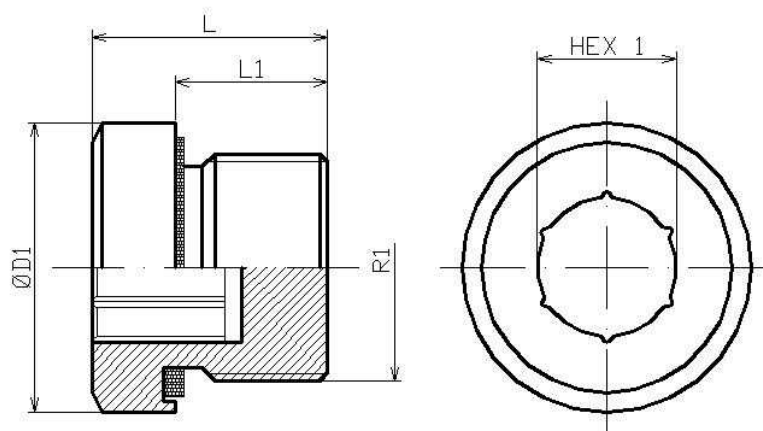
1/1



Artículo	ØD1	Serie	R1	Presión de trabajo (bar)	L	L1	L2	HEX 1	HEX 2	CH1	B
WSVLL 4 R 1/8	4	24	1/8" BSP	100	24	24	10.5	10	17	17	8
WSVLL 6 R 1/8	6	24	1/8" BSP	100	24	24	10.5	12	17	17	8
WSVLL 8 R 1/8	8	24	1/8" BSP	100	24	25	10.5	14	17	17	8
WSVL 6 R 1/8	6	24	1/8" BSP	315	24	27	10.5	14	17	17	8
WSVL 8 R 1/4	8	32	1/4" BSP	315	32	29.5	14	17	19	22	12
WSVL 10 R 1/4	10	32		315	32	30.5	14	19	19	22	12
WSVL 12 R 3/8	12	38.5	3/8" BSP	315	38.5	33	16.5	22	24	27	12
WSVL 15 R 1/2	15	46.5	1/2" BSP	315	46.5	37	21.5	27	30	32	14
WSVL 18 R 1/2	18	46.5	1/2" BSP	315	46.5	38	21.5	32	30	32	14
WSVL 22 R 3/4	22	54	3/4" BSP	160	54	43	24	36	36	41	16
WSVL 28 R 1	28	66.5	1" BSP	160	66.5	47.5	30.5	41	46	50	18
WSVL 35 R 1 1/4	35	80	1"1/4 BSP	160	80	56.5	35.5	50	55	60	20
WSVL 42 R 1 1/2	42	90	1"1/2 BSP	160	90	62.5	40.5	60	60	70	22
WSVS 6 R 1/4	6	32	1/4" BSP	400	32	31.5	14	17	19	22	12
WSVS 8 R 1/4	8	32	1/4" BSP	400	32	31.5	14	19	19	22	12
WSVS 10 R 3/8	10	38.5	3/8" BSP	630	38.5	35	16.5	22	24	27	12
WSVS 12 R 3/8	12	38.5	3/8" BSP	630	38.5	35	16.5	24	24	27	12
WSVS 14 R 1/2	14	46.5	1/2" BSP	630	46.5	41	21.5	27	30	32	14
WSVS 16 R 1/2	16	46.5	1/2" BSP	400	46.5	41	21.5	30	30	32	14
WSVS 20 R 3/4	20	54	3/4" BSP	400	54	47	24	36	36	41	16
WSVS 25 R 1	25	66.5	1" BSP	400	66.5	54.5	30.5	46	46	50	18
WSVS 30 R 1 1/4	30	80	1"1/4 BSP	250	80	62.5	35.5	50	55	60	20
WSVS 38 R 1 1/2	38	90	1"1/2 BSP	250	90	71.5	40.5	60	60	70	22

Tapón de cierre para tubo**BUTZEN L 6 ... BUTZEN S 16****BUTZEN S 20 ... BUTZEN S 38**

Artículo	ØD1	Serie	Presión de trabajo (bar)	L	OR 1
BUTZEN L 6	6	L/S	630	18,5	4x1,5
BUTZEN L 8	8	L/S	630	18	6x1,5
BUTZEN L 10	10	L/S	630	19,5	7,5x1,5
BUTZEN L 12	12	L/S	630	19	9x1,5
BUTZEN L 15	15	L	400	19	12x2
BUTZEN L 18	18	L	400	22	15x2
BUTZEN L 22	22	L	250	22	20x2
BUTZEN L 28	28	L	250	23,5	26x2
BUTZEN L 35	35	L	250	27	32X2,5
BUTZEN L 42	42	L	250	27,5	38X2,5
BUTZEN S 14	14	S	630	21	10x2
BUTZEN S 16	16	S	420	22	12x2
BUTZEN S 20	20	S	420	27,5	16X2,5
BUTZEN S 25	25	S	420	27,5	20X2,5
BUTZEN S 30	30	S	420	28,5	25X2,5
BUTZEN S 38	38	S	315	32,5	33X2,5

Tapón de cierre Allen rosca BSP con junta

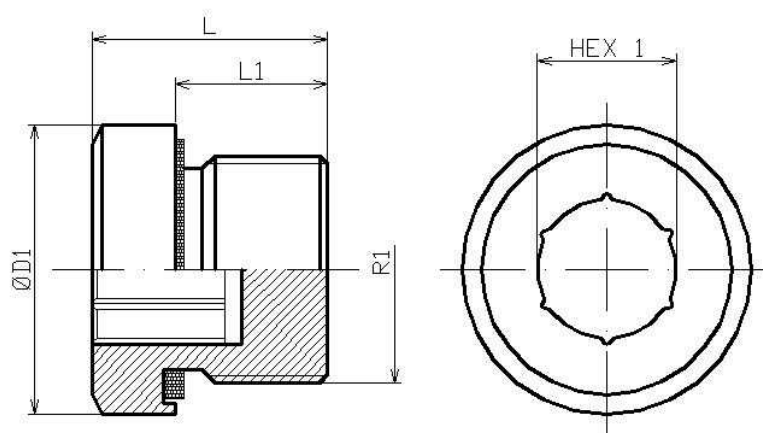
Artículo	ØD1	R1	Presión de trabajo (bar)	L	L1	HEX 1
STOPFEN 1/8	14	1/8" BSP	400	12	8	5
STOPFEN 1/4	19	1/4" BSP	400	17	12	6
STOPFEN 3/8	22	3/8" BSP	400	17	12	8
STOPFEN 1/2	27	1/2" BSP	400	19	14	10
STOPFEN 3/4	32	3/4" BSP	400	21	16	12
STOPFEN 1	40	1" BSP	400	22,5	16	17
STOPFEN 1 1/4	50	1"1/4 BSP	315	22,5	17	18
STOPFEN 1 1/2	55	1"1/2 BSP	315	22,5	22	24
STOPFEN 2	75	2" BSP	160	30	24	32

Racores DIN 2353

Tapones

Tapón de cierre Allen rosca Métrica con junta

1/1



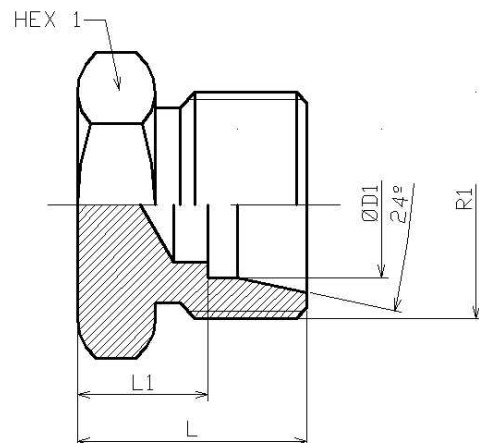
Artículo	ØD1	R1	Presión de trabajo (bar)	L	L1	HEX 1
STOPFEN M 10X1	14	M10X1	400	12	8	5
STOPFEN M 12X1.25	17	M12X1.25	400	17	12	6
STOPFEN M 12X1.5	17	M12X1.5	400	17	12	6
STOPFEN M 14X1.5	19	M14X1.5	400	17	12	6
STOPFEN M 16X1.5	22	M16X1.5	400	17	12	8
STOPFEN M 18X1.5	24	M18X1.5	400	17	12	8
STOPFEN M 20X1.5	26	M20X1.5	400	19	14	10
STOPFEN M 22X1.5	27	M22X1.5	400	19	14	10
STOPFEN M 26X1.5	32	M26X1.5	400	21	16	12
STOPFEN M 27X2	32	M27X2	400	21	16	12
STOPFEN M 33X2	40	M33X2	400	22,5	16	17
STOPFEN M 42X2	50	M42X2	315	22,5	16	22
STOPFEN M 48X2	55	M48X2	315	22,5	16	24

Racores DIN 2353

Tapones

Tapón**FLUIDAL**

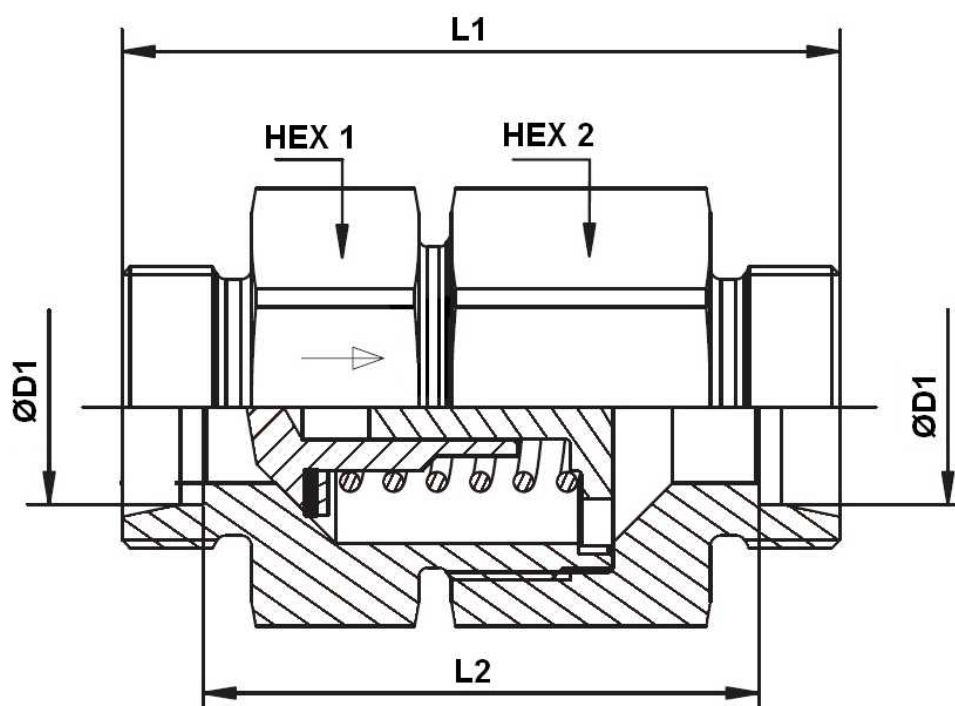
1/1



Artículo	ØD1	Serie	R1	Presión de trabajo (bar)	L	L1	HEX 1
STA TML 6	6	L	12x1.5	315	14	7	12
STA TML 8	8	L	14x1.5	315	15	8	14
STA TML 10	10	L	16x1.5	315	16	9	17
STA TML 12	12	L	18x1.5	315	17	10	19
STA TML 15	15	L	22x1.5	315	18	11	24
STA TML 18	18	L	26x1.5	315	19	11,5	27
STA TML 22	22	L	30x2	160	21	13,5	32
STA TML 28	28	L	36x2	160	22	14,5	41
STA TML 35	35	L	45x2	160	25	14,5	46
STA TML 42	42	L	52x2	160	27	16	55
STA TMS 6	6	S	14x1.5	630	18	11	14
STA TMS 8	8	S	16x1.5	630	20	13	17
STA TMS 10	10	S	18x1.5	630	20	12,5	19
STA TMS 12	12	S	20x1.5	630	22	14,5	22
STA TMS 14	14	S	22x1.5	630	23	15	24
STA TMS 16	16	S	24x1.5	400	24	15,5	27
STA TMS 20	20	S	30x2	400	28	17,5	32
STA TMS 25	25	S	36x2	400	32	20	41
STA TMS 30	30	S	42x2	400	34	20,5	46
STA TMS 38	38	S	52x2	315	39	23	55

Antirretorno tubo-tubo**FLUIDAL**

1/2

**Presión de apertura: 1 bar**

Bajo pedido: 0,2 - 0,5 - 2 - 3 - 5 bar

Temperaturas de trabajo permitidas sin reducción en presión para juntas planas y toricas en NBR : -35º hasta +100ºC

Artículo	ØD1	Serie	Presión de trabajo (bar)	L1	L2	HEX 1	HEX 2
RHDL 6	6	L	400	43	29	17	17
RHDL 8	8	L	400	44	30	19	19
RHDL 10	10	L	400	54,5	40,5	22	24
RHDL 12	12	L	400	57,5	43,5	27	30
RHDL 15	15	L	315	61,5	47,5	27	32
RHDL 18	18	L	250	66,5	51,5	36	36
RHDL 22	22	L	250	76,5	61,5	41	46
RHDL 28	28	L	160	84,5	69,5	50	55
RHDL 35	35	L	160	95,5	74,5	60	60
RHDL 42	42	L	160	96	74	65	70
RHDS 6	6	S	420	48,5	34,5	17	19
RHDS 8	8	S	420	48,5	34,5	17	19
RHDS 10	10	S	420	55,5	40,5	22	24
RHDS 12	12	S	420	57,5	42,5	24	27
RHDS 14	14	S	420	63,5	47,5	27	32
RHDS 16	16	S	420	67,5	50,5	32	36
RHDS 20	20	S	250	75,5	54,5	38	41
RHDS 25	25	S	250	82,5	58,5	46	50
RHDS 30	30	S	250	96,5	69,5	55	60
RHDS 38	38	S	250	107,5	75,5	65	70

Racores DIN 2353

Válvulas antirretorno

Antirretorno tubo-tubo



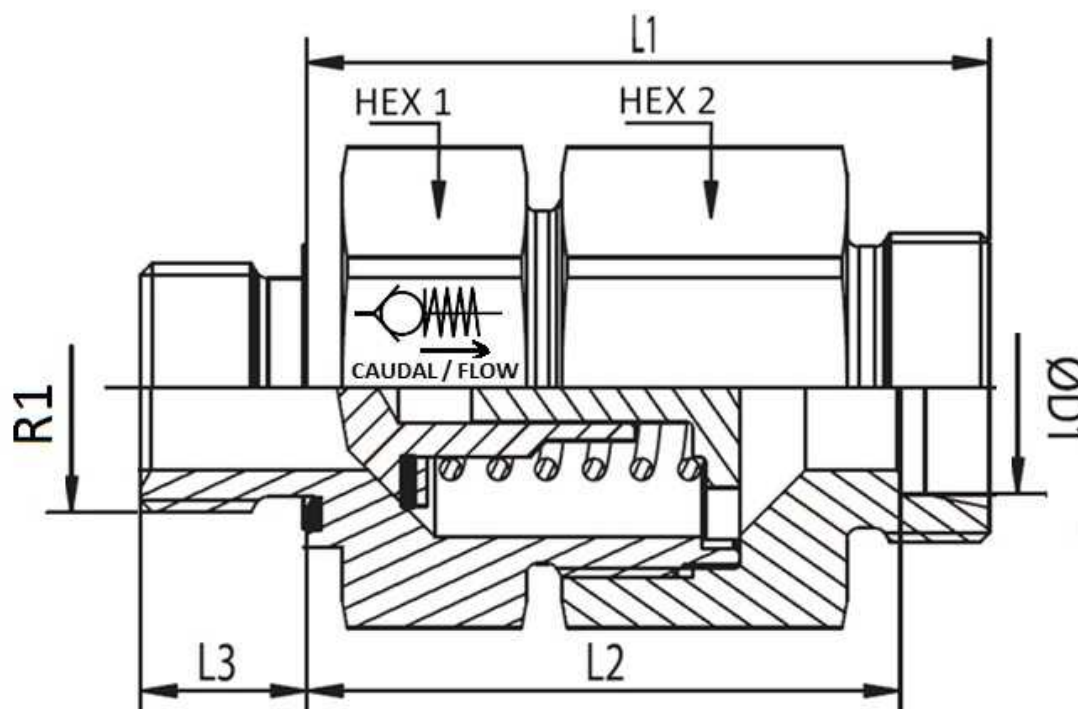
2/2

Artículo	ØD1	Serie	Presión de trabajo (bar)	L1	L2	HEX 1	HEX 2
----------	-----	-------	--------------------------	----	----	-------	-------

*** Revisar PDF adjunto ***

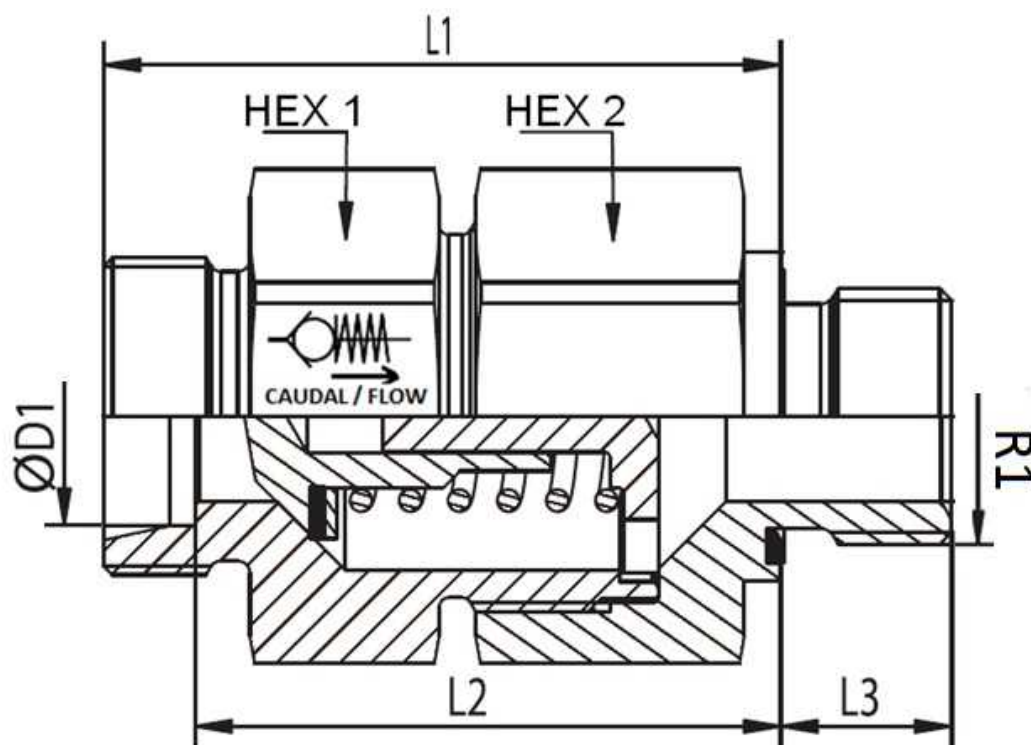
Antirretorno rosca BSP - tubo

1/1



Presión de apertura: 1 bar Bajo pedido: 0,2 - 0,5 - 2 - 3 - 5 bar
 Temperaturas de trabajo permitidas sin reducción en presión para juntas planas y toricas en
 NBR : -35º hasta +100ºC

Artículo	ØD1	Serie	R1	Presión de trabajo (bar)	L1	L2	L3	HEX 1	HEX 2
RHVL 6 R1/8	6	L	1/8" BSP	400	35	28	8	17	17
RHVL 8 R 1/4	8	L	1/4" BSP	400	37	30	12	19	19
RHVL 10 R 1/4	10	L	1/4" BSP	400	45,5	38,5	12	22	24
RHVL 12 R3/8	12	L	3/8" BSP	400	49,5	42,5	12	27	30
RHVL 15 R 1/2	15	L	1/2" BSP	315	52,5	45,5	14	27	32
RHVL 18 R1/2	18	L	1/2" BSP	250	57,5	50	14	36	36
RHVL 22 R3/4	22	L	3/4" BSP	250	62,5	55	16	41	46
RHVL 28 R1	28	L	1" BSP	160	70,5	63	18	50	55
RHVL 35 R1 1/4	35	L	1"1/4 BSP	160	79,5	69	20	60	60
RHVL 42 R1 1/2	42	L	1"1/2 BSP	160	80	69	22	65	70
RHVS 6 R1/4	6	S	1/4" BSP	420	38,5	31,5	12	19	19
RHVS 8 R1/4	8	S	1/4" BSP	420	38,5	31,5	12	19	19
RHVS 10 R3/8	10	S	3/8" BSP	420	45,5	38	12	22	24
RHVS 12 R3/8	12	S	3/8" BSP	420	48,5	41	12	24	27
RHVS 14 R 1/2	14	S	1/2" BSP	420	52,5	44,5	14	27	32
RHVS 16 R1/2	16	S	1/2" BSP	420	56,5	48	14	32	36
RHVS 20 R3/4	20	S	3/4" BSP	250	62,5	52	16	38	41
RHVS 25 R1	25	S	1" BSP	250	66,5	54,5	18	46	50
RHVS 30 R1 1/4	30	S	1"1/4 BSP	250	77,5	64	20	55	60
RHVS 38 R 1 1/2	38	S	1"1/2 BSP	250	85,5	69,5	22	65	70

Antirretorno tubo - rosca BSP**Presión de apertura: 1 bar**

Bajo pedido: 0,2 - 0,5 - 2 - 3 - 5 bar

Temperaturas de trabajo permitidas sin reducción en presión para juntas planas y toricas en NBR : -35º hasta +100ºC

Artículo	ØD1	Serie	R1	Presión de trabajo (bar)	L1	L2	L3	HEX 1	HEX 2
RHZL 6 R 1/8	6	L	1/8" BSP	400	33,5	26,5	8	17	17
RHZL 8 R 1/4	8	L	1/4" BSP	400	35,5	28,5	12	19	19
RHZL 10 R 1/4	10	L	1/4" BSP	400	45,5	38,5	12	22	24
RHZL 12 R 3/8	12	L	3/8" BSP	400	47,5	40,5	12	27	30
RHZL 15 R 1/2	15	L	1/2" BSP	315	49,5	42,5	14	27	32
RHZL 18 R 1/2	18	L	1/2" BSP	250	55,5	48	14	36	36
RHZL 22 R 3/4	22	L	3/4" BSP	250	63,5	56	16	41	46
RHZL 28 R 1	28	L	1" BSP	160	71,5	64	18	50	55
RHZL 35 R 1 1/4	35	L	1"1/4 BSP	160	80,5	70	20	60	60
RHZL 42 R 1 1/2	42	L	1"1/2 BSP	160	81,5	70,5	22	65	70
RHZZ 6 R 1/4	6	S	1/4" BSP	420	38,5	31,5	12	17	19
RHZZ 8 R 1/4	8	S	1/4" BSP	420	38,5	31,5	12	17	19
RHZZ 10 R 3/8	10	S	3/8" BSP	420	45,5	38	12	22	24
RHZZ 12 R 3/8	12	S	3/8" BSP	420	48,5	41	12	24	27
RHZZ 14 R 1/2	14	S	1/2" BSP	420	51,5	43,5	14	27	32
RHZZ 16 R 1/2	16	S	1/2" BSP	420	54,5	46	14	32	36
RHZZ 20 R 3/4	20	S	3/4" BSP	250	60,5	50	16	38	41
RHZZ 25 R 1	25	S	1" BSP	250	66,5	54,5	18	46	50
RHZZ 30 R 1 1/4	30	S	1"1/4 BSP	250	77,5	64	20	55	60
RHZZ 38 R 1 1/2	38	S	1"1/2 BSP	250	87,5	71,5	22	65	70